

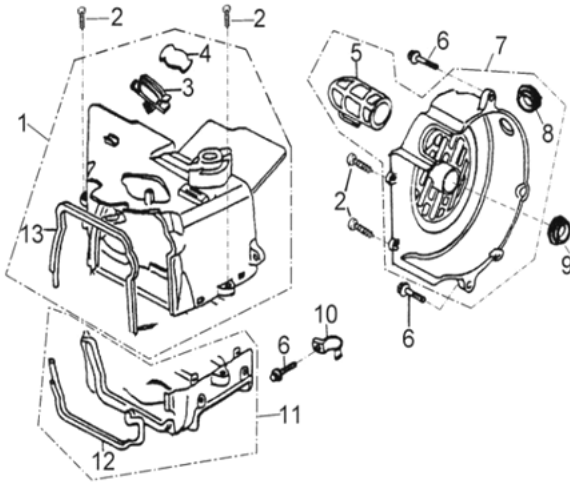
OVERLAND

THE LIFE STYLE ADVENTURE



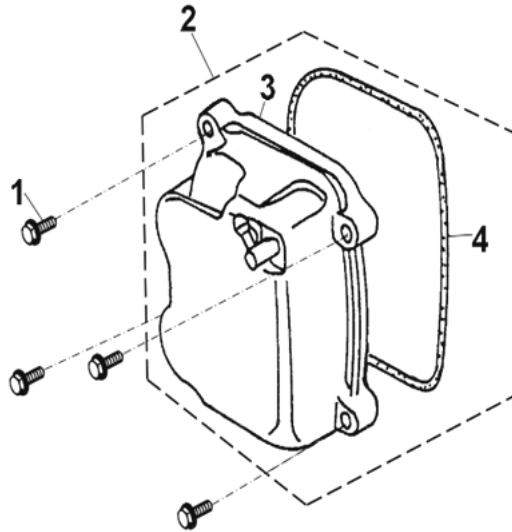
A **AEON**
ATVSPECIALIST

D-1: FAN COVER



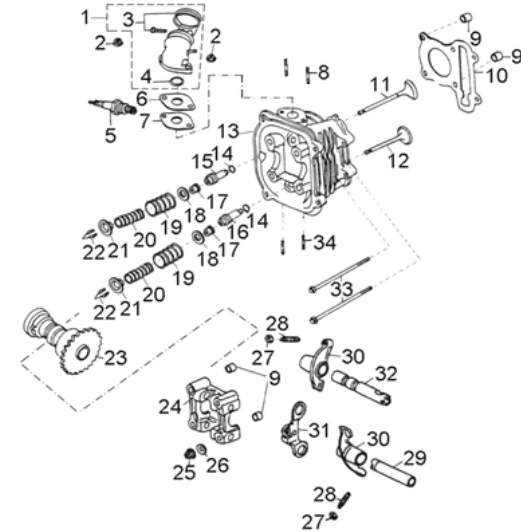
page 7

D-2: CYLINDER HEAD COVER



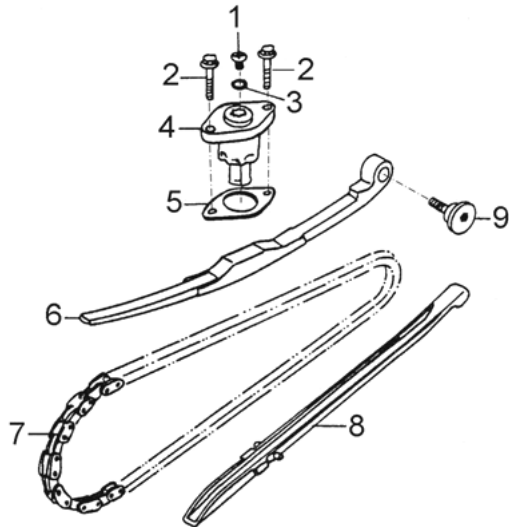
page 8

D-3: CYLINDER HEAD/CAM SHAFT



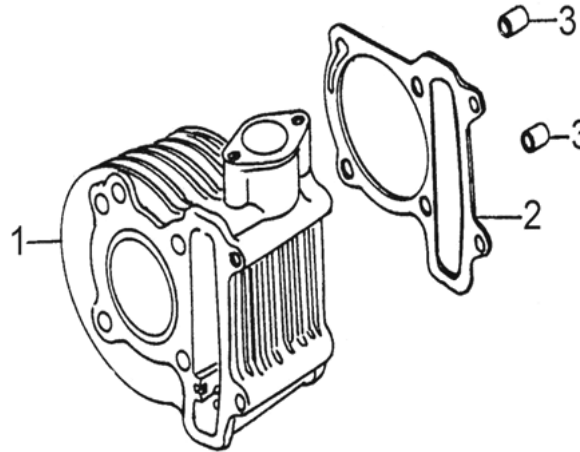
page 9

D-4: CHAIN TENSIONER



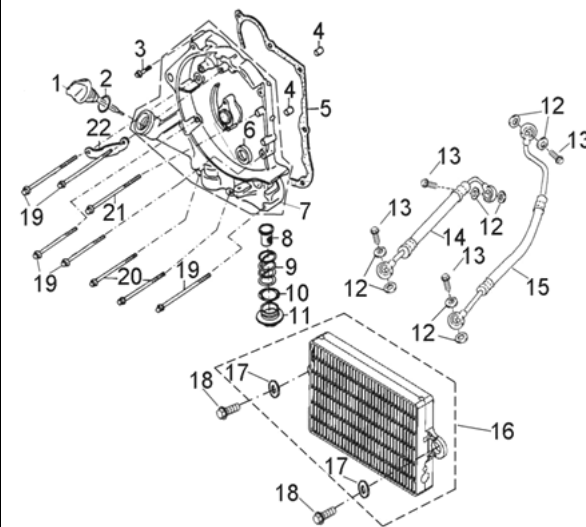
page 10

D-5: CYLINDER



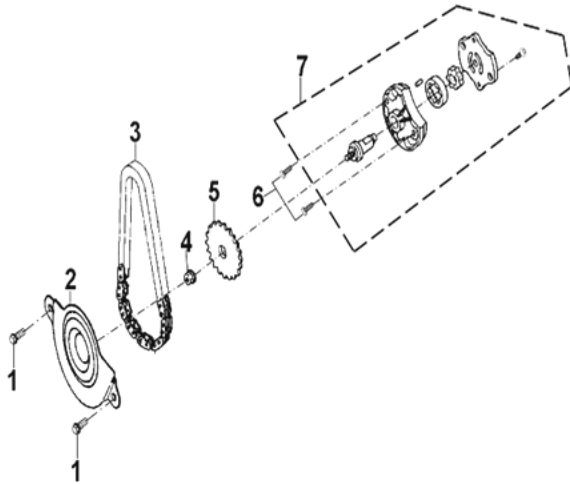
page 11

D-6: RIGHT CRANKCASE COVER/RADIATOR



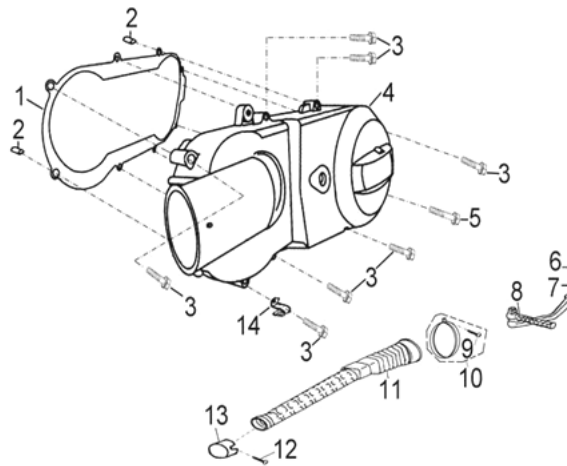
page 12

D-7: OIL PUMP ASSEMBLY



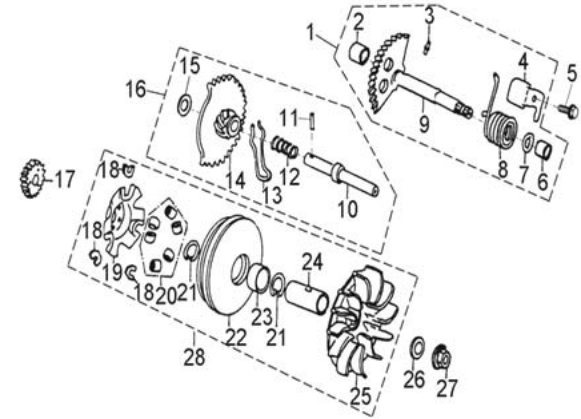
page 13

D-8: LEFT CRANKCASE COVER



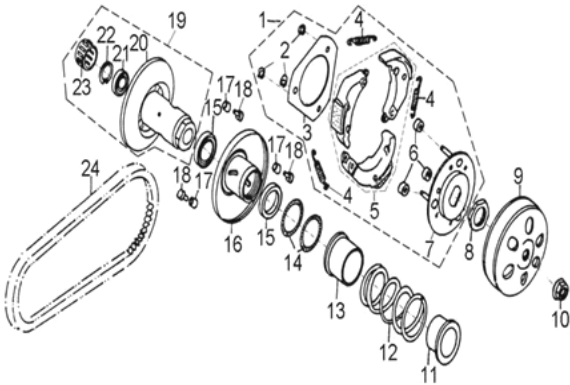
page 14

D-9: DRIVE CLUTCH/STARTER



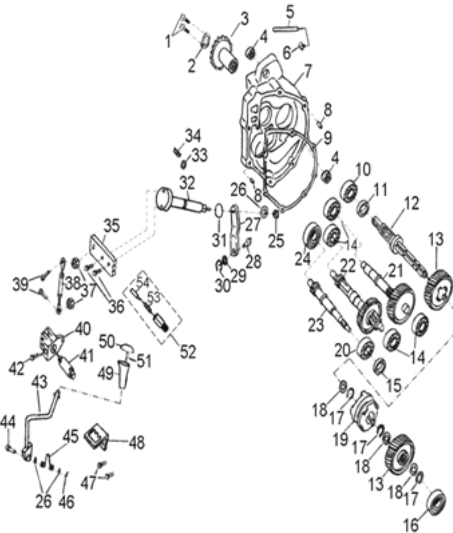
page 15

D-10: DRIVEN CLUTCH



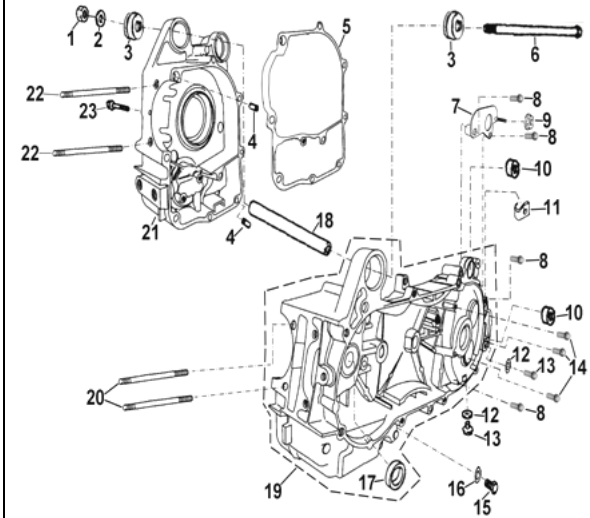
page 16

D-11: TRANSMISSION LEVER



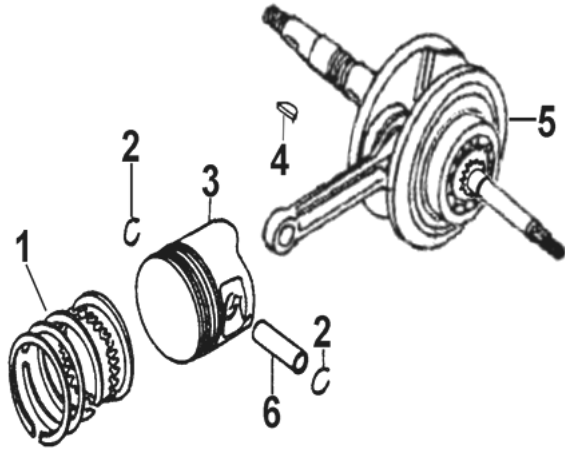
page 17-18

D-12: CRANKCASE



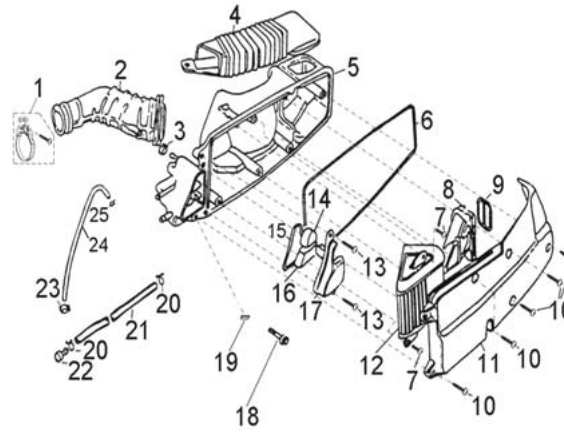
page 19

D-13: CRANKSHAFT



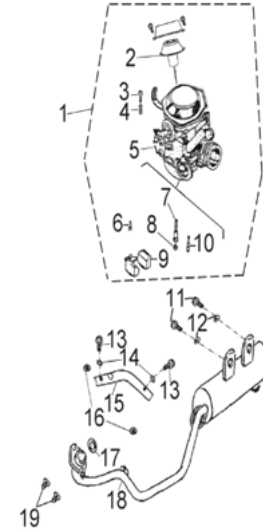
page 20

D-14: AIR CLEANER



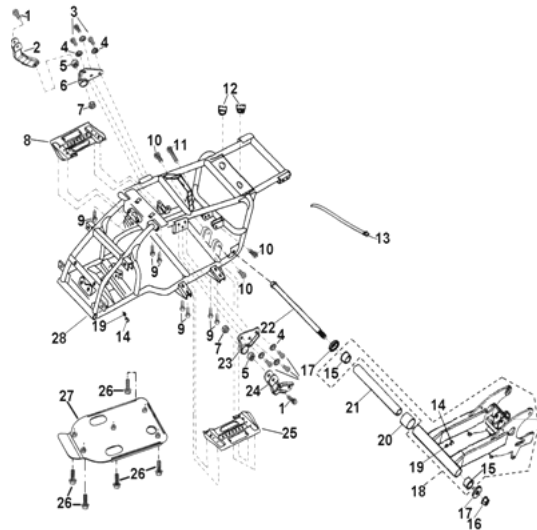
page 21

D-15: EXHAUST PIPE/CARBURETOR



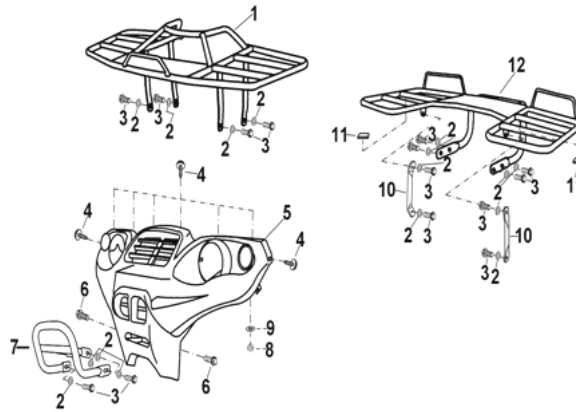
page 22

D-16: FRAME BODY



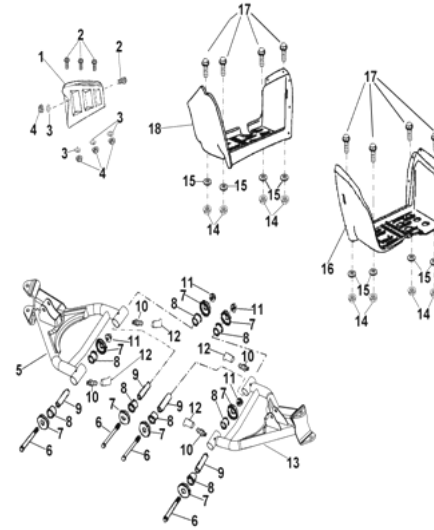
page 23

D-17: BUMPER/RACKS



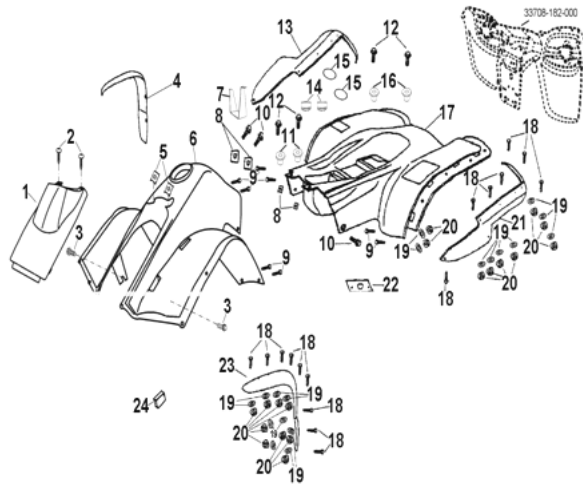
page 24

D-18: SWING ARM/FOOTREST



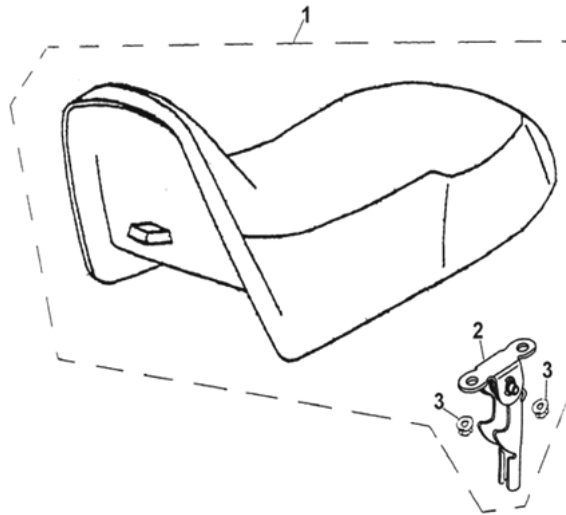
page 25

D-19: FENDER



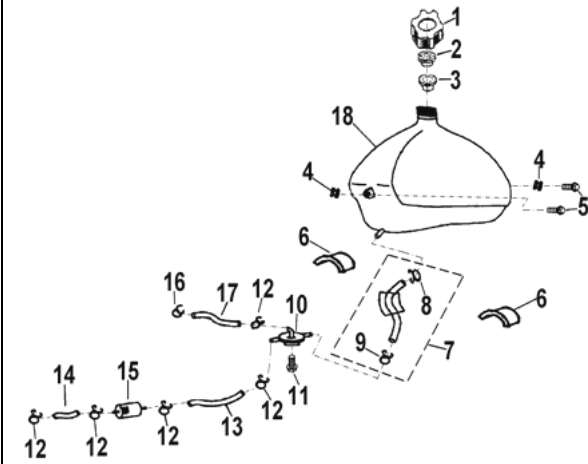
page 26

D-20: SEAT



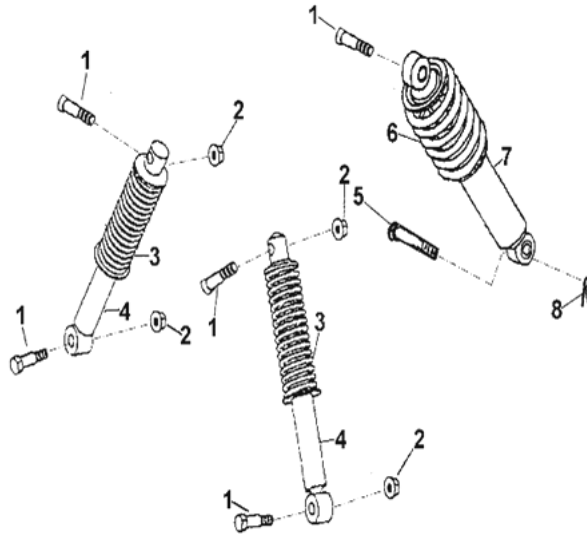
page 27

D-21: FUEL TANK



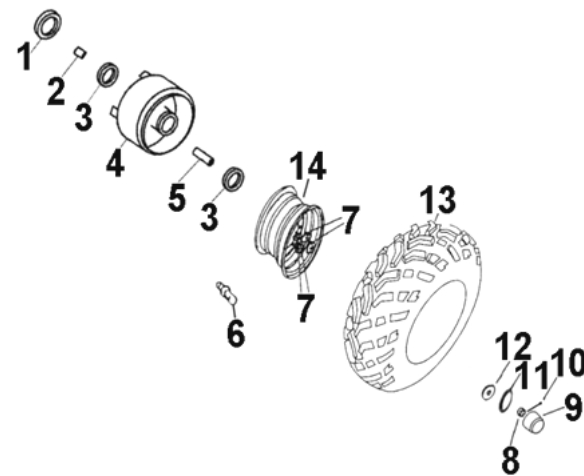
page 28

D-22: SUSPENSION



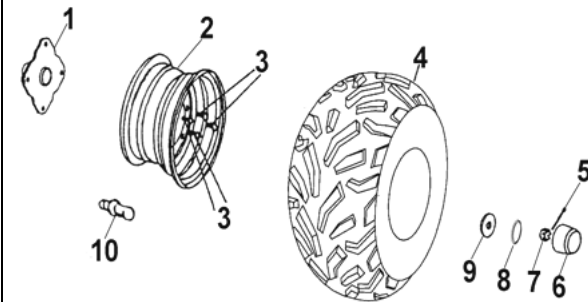
page 29

D-23: FRONT WHEEL



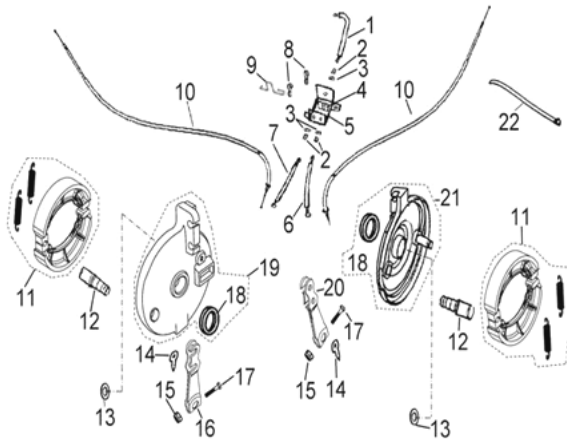
page 30

D-24: REAR WHEEL



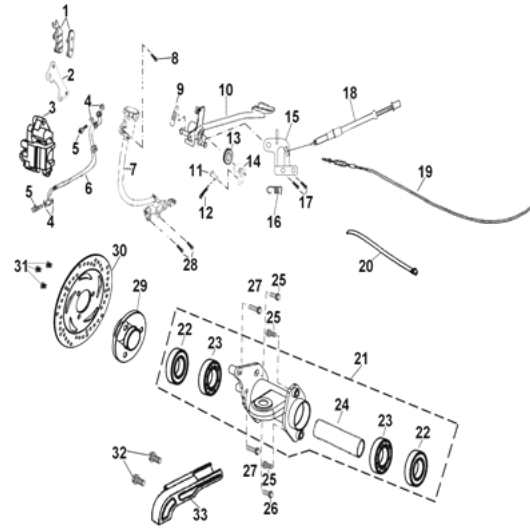
page 31

D-25: FRONT BRAKE



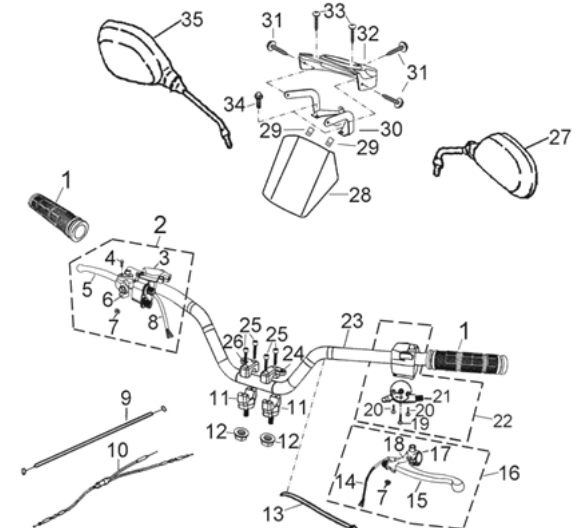
page 32

D-26: REAR BRAKE



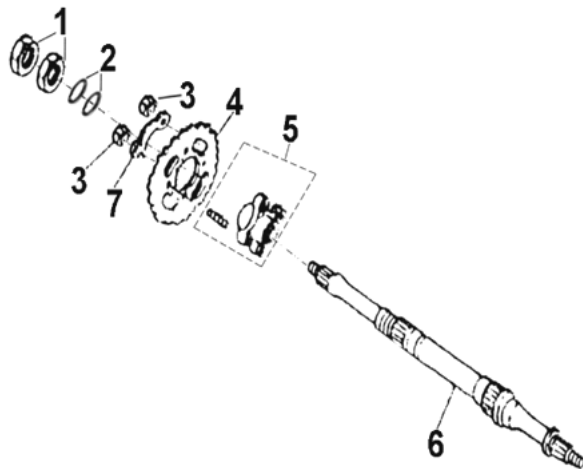
page 33

D-27: HANDLEBAR



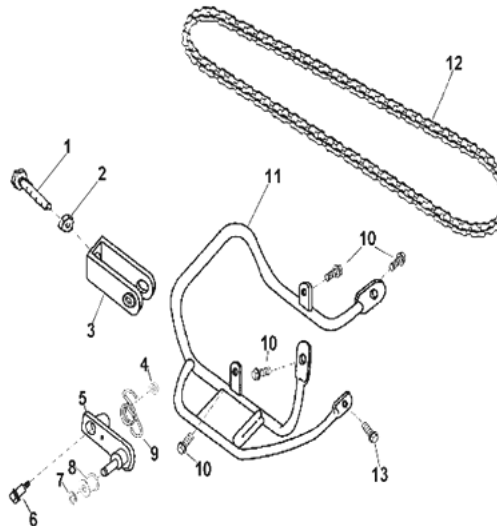
page 34

D-28: CHAIN



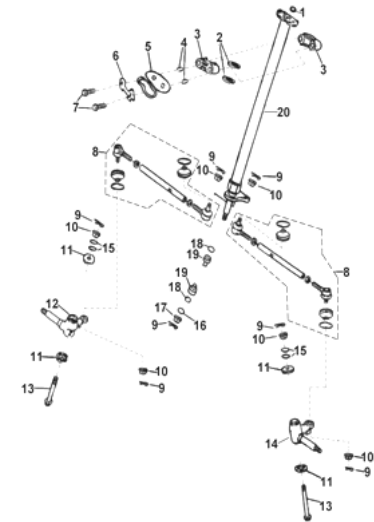
page 35

D-29: CHAIN



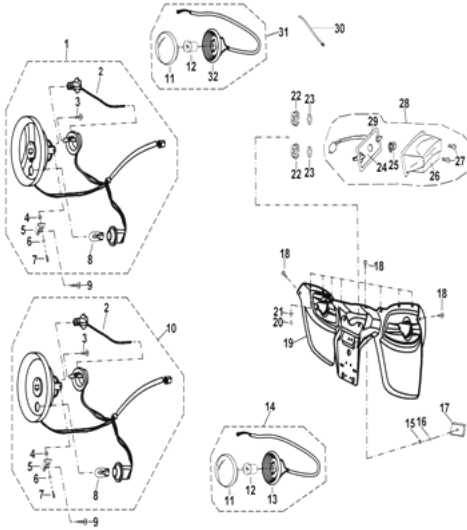
page 36

D-30: STEERING



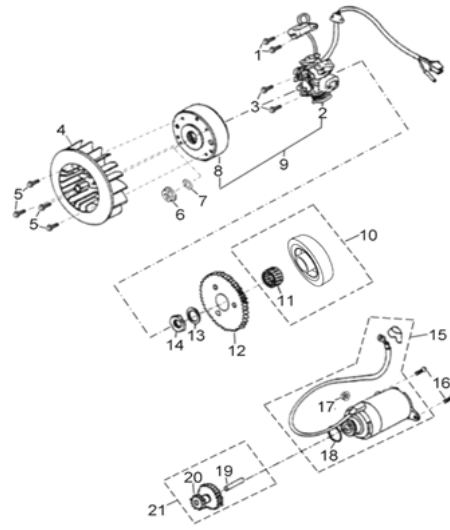
page 37

D-31: LIGHTS



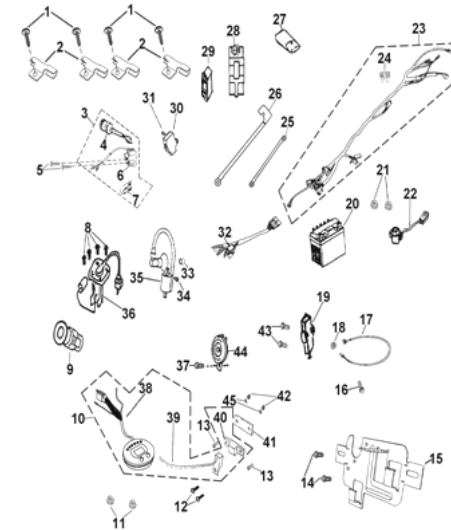
page 38-39

D-32: GENERATOR/STARTING MOTOR



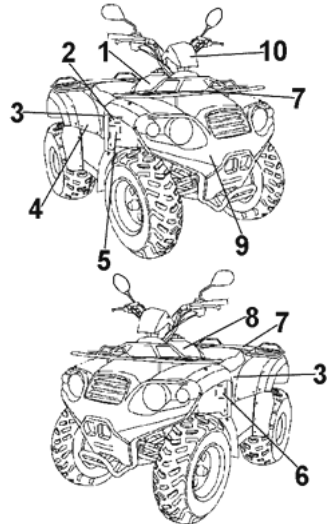
page 40

D-33: ELECTRICAL PARTS



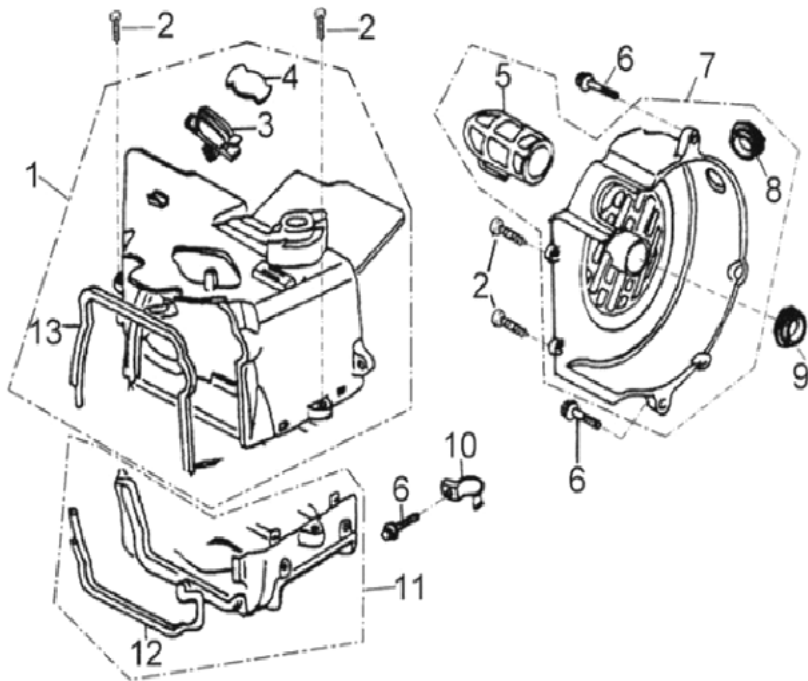
page 41-42

D-34: DECALS



page 43

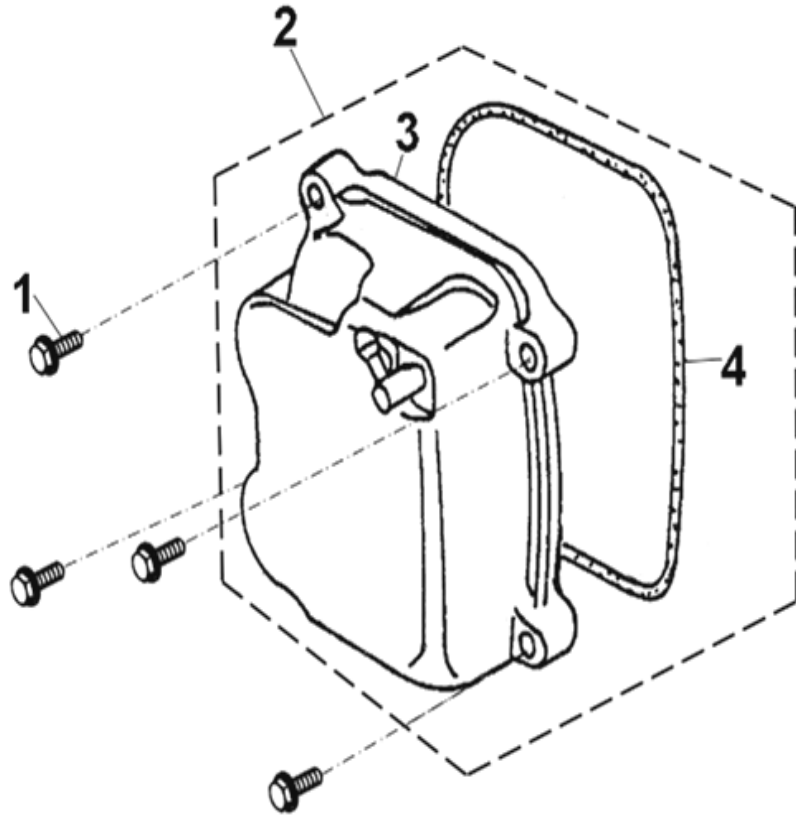
D-1: FAN COVER



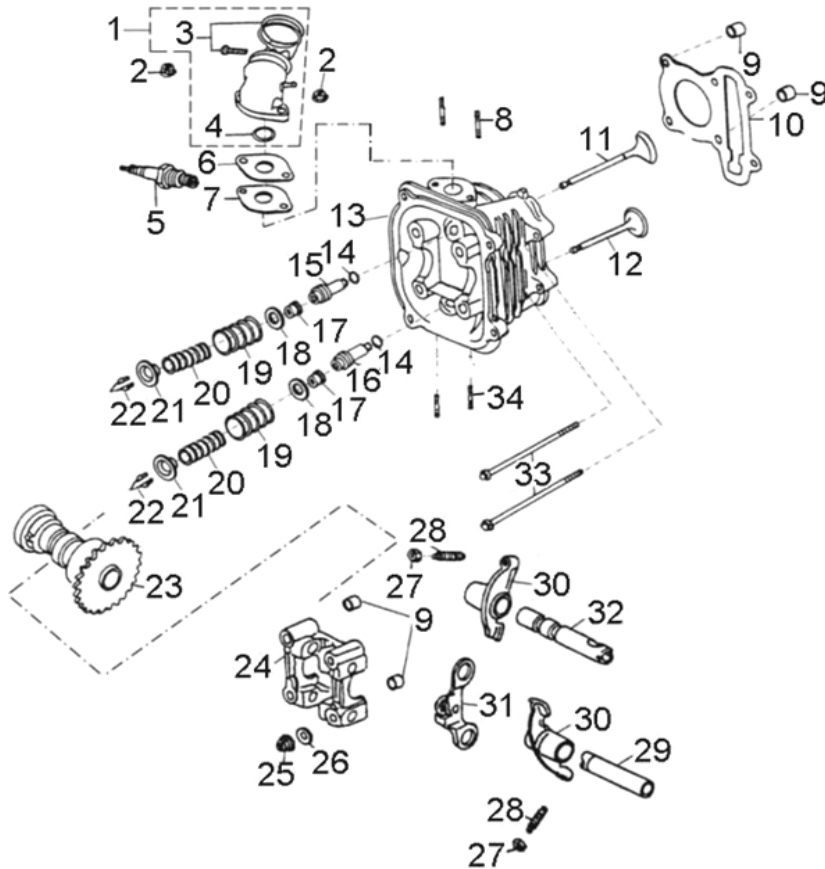
| ITEM | DESCRIPTION | P/N | Q'TY |
|------|-----------------------|-------------------|------|
| 1 | Asm., Shroud, Upper | 19623119-000 | 1 |
| 2 | Screw, Tappinmg | 93904-3050168-00K | 4 |
| 3 | Clamp | 19628119-000 | 1 |
| 4 | Plug, Rubber | 19633119-000 | 1 |
| 5 | Elbow, Outlet | 19615201-000 | 1 |
| 6 | Bolt | 96000-060258-08C | 3 |
| 7 | Cover Set, Fly Wheel | 19610119-001 | 1 |
| 8 | Cap | 19529119-000 | 1 |
| 9 | Cap | 19611156-000 | 1 |
| 10 | Clamp | 19629119-000 | 1 |
| 11 | Asm., Shroud, Lower | 19621119-000 | 1 |
| 12 | Gasket, Shroud, Lower | 19625119-000 | 1 |
| 13 | Gasket, Shroud, Upper | 19635119-000 | 1 |

D-2: CYLINDER HEAD COVER

| ITEM | DESCRIPTION | P/N | Q'TY |
|------|----------------------|------------------|------|
| 1 | Bolt | 96000-060258-08C | 4 |
| 2 | Asm., Head Cover | 12310158-000 | 1 |
| 3 | Cover, Cylinder Head | 12309158-000 | 1 |
| 4 | O-Ring, Head Cover | 12391119-000 | 1 |

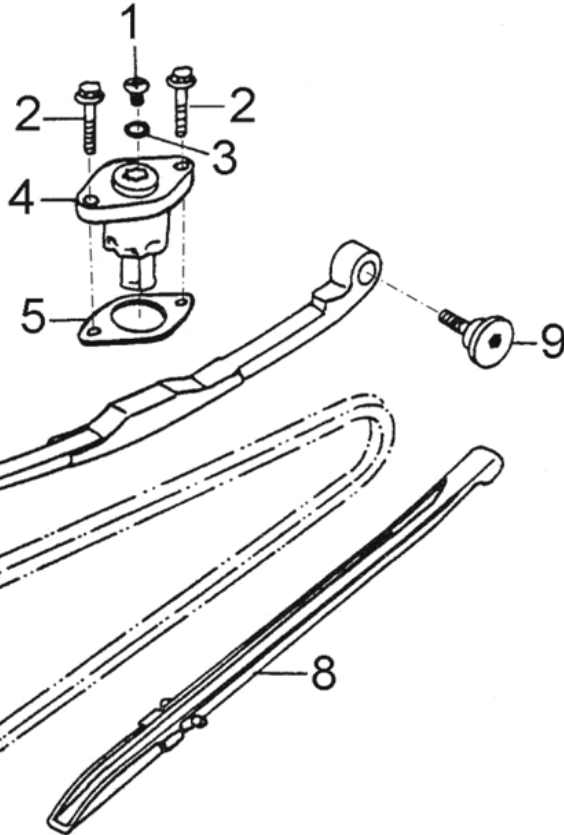


D-3: CYLINDER HEAD/CAM SHAFT



| ITEM | DESCRIPTION | P/N | Q'TY |
|------|----------------------------|-------------------|------|
| 1 | Asm., Manifold, Intake | 17100179-000 | 1 |
| 2 | Nut | 94050-06000-00C | 2 |
| 3 | Clamp, Manifold, Intake | 14111119-000 | 1 |
| 4 | O-Ring | 93210-00227 | 1 |
| 5 | Plug, Spark | 98076119-00A | 1 |
| 6 | Insulator, Manifold | 17112119-000 | 1 |
| 7 | Gasket, Manifold | 17113119-000 | 1 |
| 8 | Stud | 91001-060728-00C | 2 |
| 9 | Pin, Dowel | 94301-10140 | 4 |
| 10 | Gasket, Cylinder Head | 12251158-000 | 1 |
| 11 | Valve, Intake | 14711122-000 | 1 |
| 12 | Valve, Exhaust | 14721122-000 | 1 |
| 13 | Head, Cylinder | 12201158-000 | 1 |
| 14 | O-Ring | 93210-00915 | 2 |
| 15 | Guide, Valve Intake | 12204119-000 | 1 |
| 16 | Guide, Valve Exhaust | 12206119-000 | 1 |
| 17 | Seal, Valve | 12209119-000 | 2 |
| 18 | Seat, Valve, Spring, Outer | 14775119-000 | 2 |
| 19 | Spring, Valve, Outer | 14751119-000 | 2 |
| 20 | Spring, Valve, Inner | 14761119-000 | 2 |
| 21 | Retainer, Valve, Spring | 14771119-000 | 2 |
| 22 | Clip, Retainer | 14781119-000 | 4 |
| 23 | Asm., Cam Shaft | 14400122-000 | 1 |
| 24 | Bracket, Cam Shaft | 12211158-000 | 1 |
| 25 | Nut | 94050-08000-00C | 4 |
| 26 | Washer | 94101-0818023-00U | 4 |
| 27 | Nut, Tappet Adj. | 90206-05000-00A | 2 |
| 28 | Screw, Tappet Adj. | 90012-06015 | 2 |
| 29 | Shaft, Exhaust, Rocker Arm | 14453158-000 | 1 |
| 30 | Arm, Valve, Rocker | 14431119-000 | 2 |
| 31 | Asm., Decomp. Release | 14456119-000 | 1 |
| 32 | Shaft, Intake, Rocker Arm | 14452158-000 | 1 |
| 33 | Bolt | 96000-061008-08C | 2 |
| 34 | Stud | 91001-080328-00C | 2 |

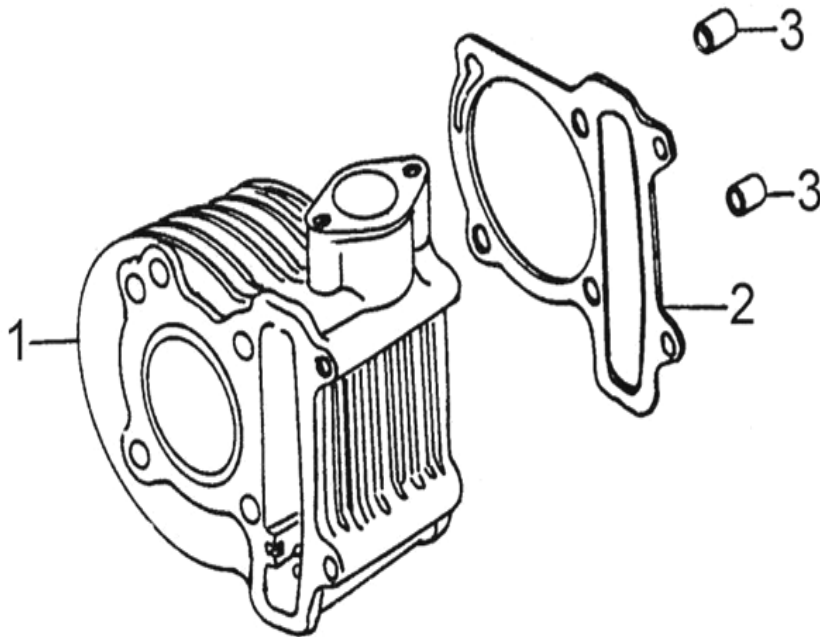
D-4: CHAIN TENSIONER



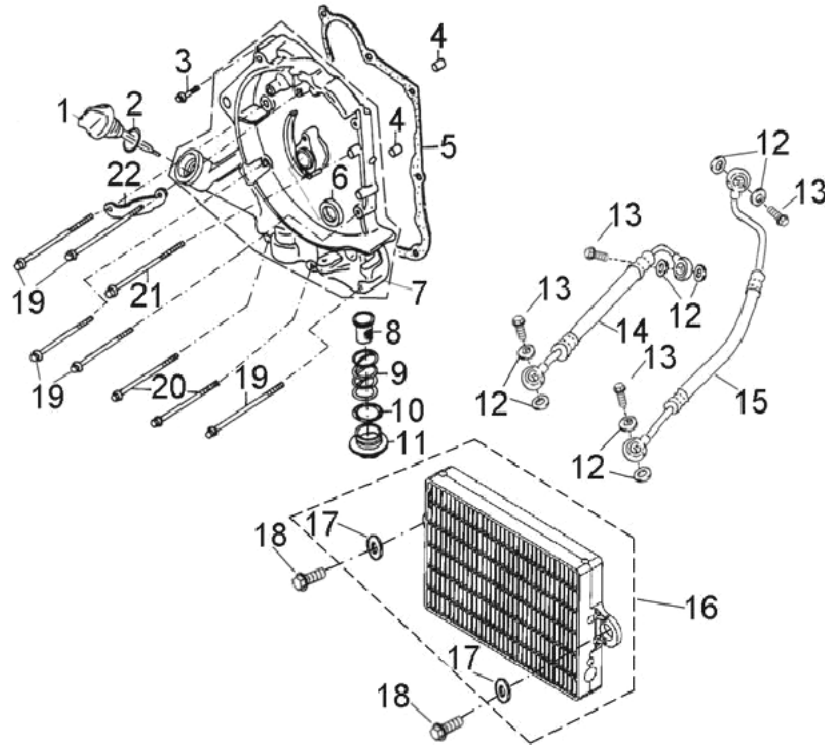
| ITEM | DESCRIPTION | P/N | Q'TY |
|------|----------------------|------------------|------|
| 1 | Screw | 93000-060068-00K | 1 |
| 2 | Bolt | 96000-060228-14C | 2 |
| 3 | O-Ring | 93210-00915 | 1 |
| 4 | Tensioner | 14521119-000 | 1 |
| 5 | Gasket, Tensioner | 14523119-000 | 1 |
| 6 | Guide, Cam Chain, RH | 14550119-000 | 1 |
| 7 | Chain, Cam | 14401119-000 | 1 |
| 8 | Guide, Cam Chain, LH | 14500119-000 | 1 |
| 9 | Pivot, Guide | 14535119-000 | 1 |

D-5: CYLINDER

| ITEM | DESCRIPTION | P/N | Q'TY |
|------|------------------|--------------|------|
| 1 | Cylinder | 12101158-000 | 1 |
| 2 | Gasket, Cylinder | 12191158-000 | 1 |
| 3 | Pin, Dowel | 94301-10140 | 2 |



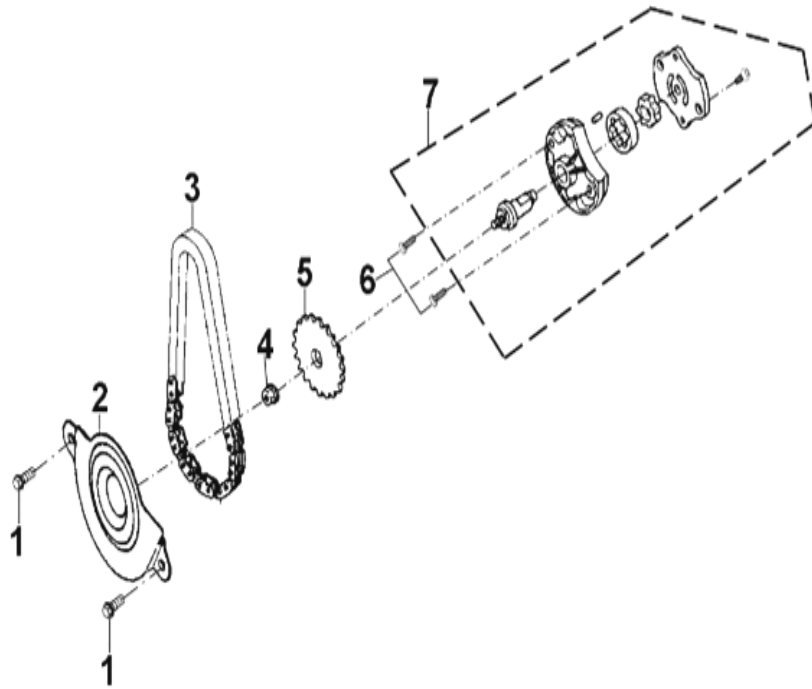
D-6: RIGHT CRANKCASE COVER/RADIATOR



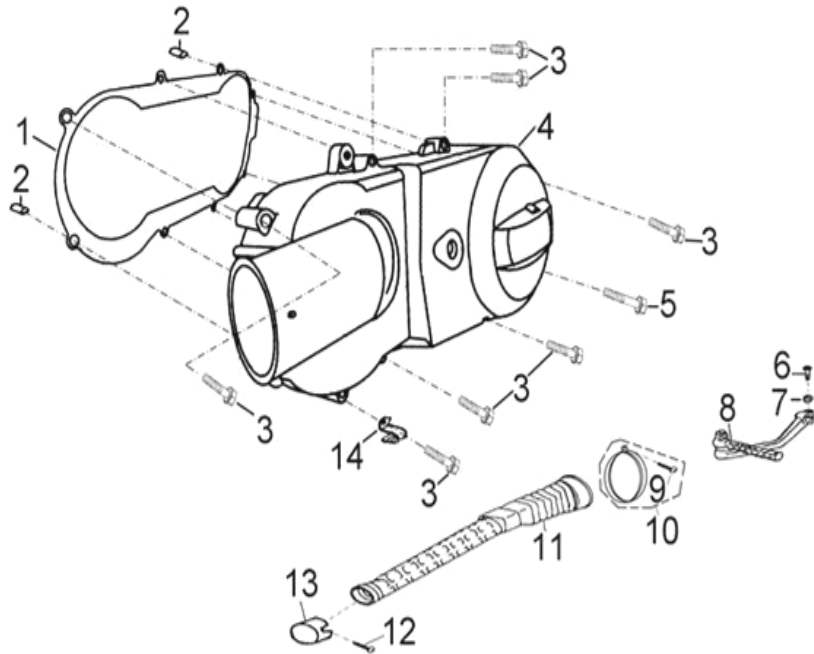
| ITEM | DESCRIPTION | P/N | Q'TY |
|------|-----------------------|-------------------|------|
| 1 | Dipstick | 15651201-000 | 1 |
| 2 | O-Ring | 93210-01835 | 1 |
| 3 | Bolt | 96000-060408-08C | 1 |
| 4 | Pin, Dowel | 94301-08140 | 2 |
| 5 | Gasket, Crankcase, RH | 11393156-000 | 1 |
| 6 | Seal, Oil | 96501-19300500000 | 1 |
| 7 | Cover, Crankcase, RH | 11330156-002 | 1 |
| 8 | Screen | 15421119-000 | 1 |
| 9 | Spring, Screen | 15426119-000 | 1 |
| 10 | O-Ring | 93210-03132 | 1 |
| 11 | Plug, Drain, Oil | 11334119-000 | 1 |
| 12 | Washer | 94101-1221320-00L | 8 |
| 13 | Bolt, Banjo | 45456156-604 | 4 |
| 14 | Hose, Inlet | 19220158-001 | 1 |
| 15 | Hose, Outlet | 19230158-001 | 1 |
| 16 | Radiator | 19215156-001 | 1 |
| 17 | Washer ,Rubber | 19235156-000 | 2 |
| 18 | Bolt | 92005-060258-00K | 2 |
| 19 | Bolt | 96000-060958-08C | 5 |
| 20 | Bolt | 96000-061108-08C | 2 |
| 21 | Bolt | 96000-061008-08C | 1 |
| 22 | Clamp, Wire, Stator | 32961119-000 | 1 |

D-7: OIL PUMP ASS'Y

| ITEM | DESCRIPTION | P/N | Q'TY |
|------|--------------------|------------------|------|
| 1 | Bolt | 96000-060128-08C | 2 |
| 2 | Cover, Oil Pump | 15711119-000 | 1 |
| 3 | Chain, Oil Pump | 15141119-000 | 1 |
| 4 | Nut | 94050-06000-00C | 1 |
| 5 | Sprocket, Oil Pump | 15150119-000 | 1 |
| 6 | Screw | 93902-060308-00B | 2 |
| 7 | Asm., Pump, Oil | 15100158-000 | 1 |

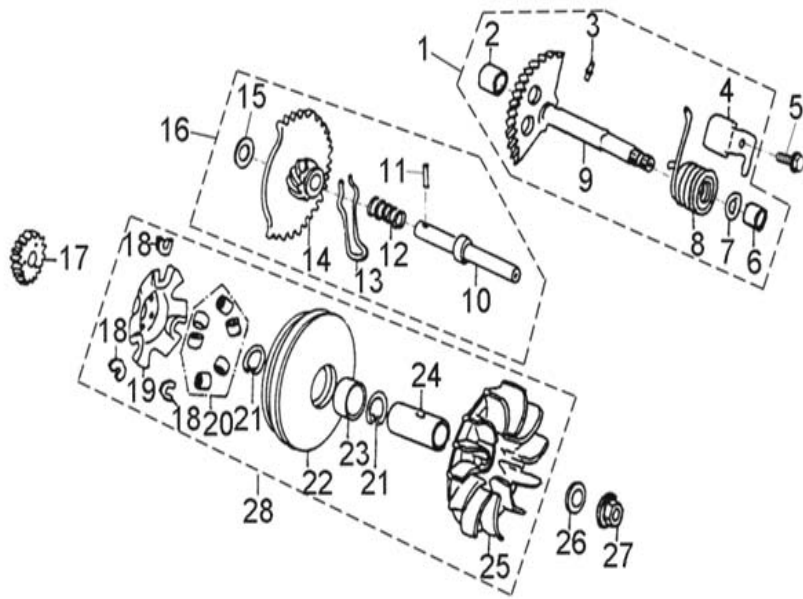


D-8: LEFT CRANKCASE COVER



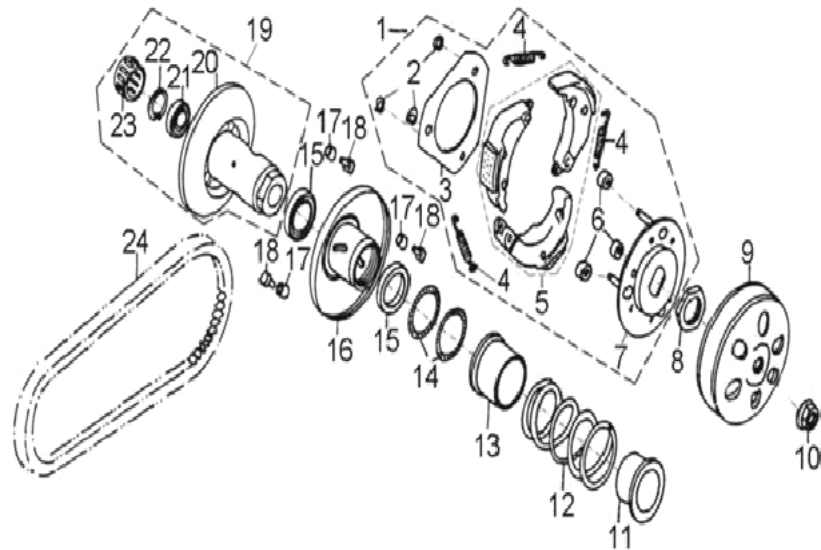
| ITEM | DESCRIPTION | P/N | Q'TY |
|------|------------------|-------------------|------|
| 1 | Gasket | 11359119-000 | 1 |
| 2 | Pin, Dowel | 94301-08140 | 2 |
| 3 | Bolt | 96000-060408-08C | 7 |
| 4 | Cover, Clutch | 11341156-001 | 1 |
| 5 | Bolt | 96000-061008-08C | 1 |
| 6 | Bolt | 96000-060258-00K | 1 |
| 7 | Washer, Spring | 94111-0611020-00K | 1 |
| 8 | Asm., Kick Start | 28300156-000 | 1 |
| 9 | Bolt | 93500-040258-00K | 1 |
| 10 | Clamp | 89669-119-001 | 1 |
| 11 | Duct, Inlet | 11345179-000 | 1 |
| 12 | Screw | 93903-1040168-00K | 1 |
| 13 | Cap | 11349156-000 | 1 |
| 14 | Hook, Hose | 11351119-000 | 1 |

D-9: DRIVE CLUTCH/STARTER



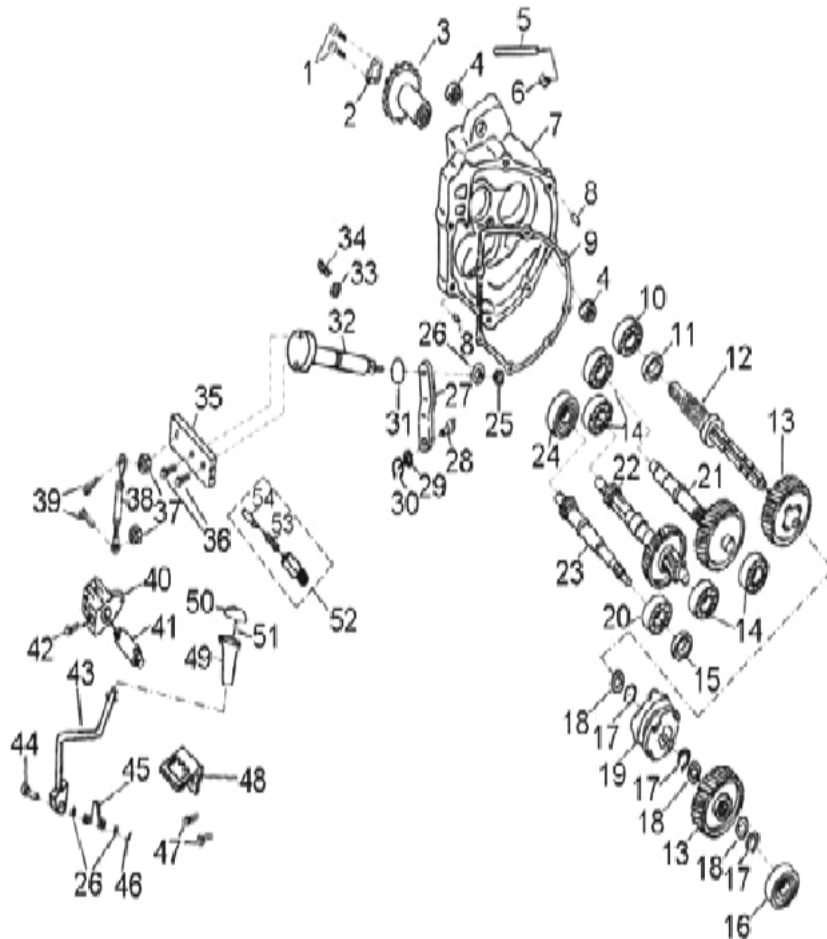
| ITEM | DESCRIPTION | P/N | Q'TY |
|------|--------------------------|-------------------|------|
| 1 | Asm., Shaft, Starter | 28251119-000 | 1 |
| 2 | Bushing | 96401-121612 | 1 |
| 3 | Rollor | 96220-30085 | 1 |
| 4 | Arresting | 28252119-000 | 1 |
| 5 | Bolt | 96000-060128-08C | 1 |
| 6 | Bushing | 96401-141816 | 1 |
| 7 | Washer | 94101-1422012-00K | 1 |
| 8 | Recoil, Kick Start | 28281119-000 | 1 |
| 9 | Asm., Shaft, Kick Start | 28250119-000 | 1 |
| 10 | Idler Shaft, Starter | 28241119-000 | 1 |
| 11 | Pin | 28282119-000 | 1 |
| 12 | Spring | 28242119-000 | 1 |
| 13 | Spring, Kick Start Gear | 28223119-000 | 1 |
| 14 | Gear, Kick Start, Driven | 28230119-000 | 1 |
| 15 | Washer | 94101-1225023-000 | 1 |
| 16 | Asm., Idle Gear, Starter | 28231119-000 | 1 |
| 17 | Bushing, Kick Start | 28211119-000 | 1 |
| 18 | Bushing, Slider | 22132156-000 | 3 |
| 19 | Plate, Sheave | 22131158-000 | 1 |
| 20 | Roller | 22121158-000 | 6 |
| 21 | Clip, Cir | 94512-2800R | 2 |
| 22 | Sheave | 22110156-000 | 1 |
| 23 | Bushing | 96401-242830 | 1 |
| 24 | Bushing | 96401-172451 | 1 |
| 25 | Sheave, moveable | 22102156-000 | 1 |
| 26 | Washer | 94101-1225023-000 | 1 |
| 27 | Nut | 94050-12000-00C | 1 |
| 28 | Asm., Drive Clutch | 22103160-000 | 1 |

D-10: DRIVEN CLUTCH



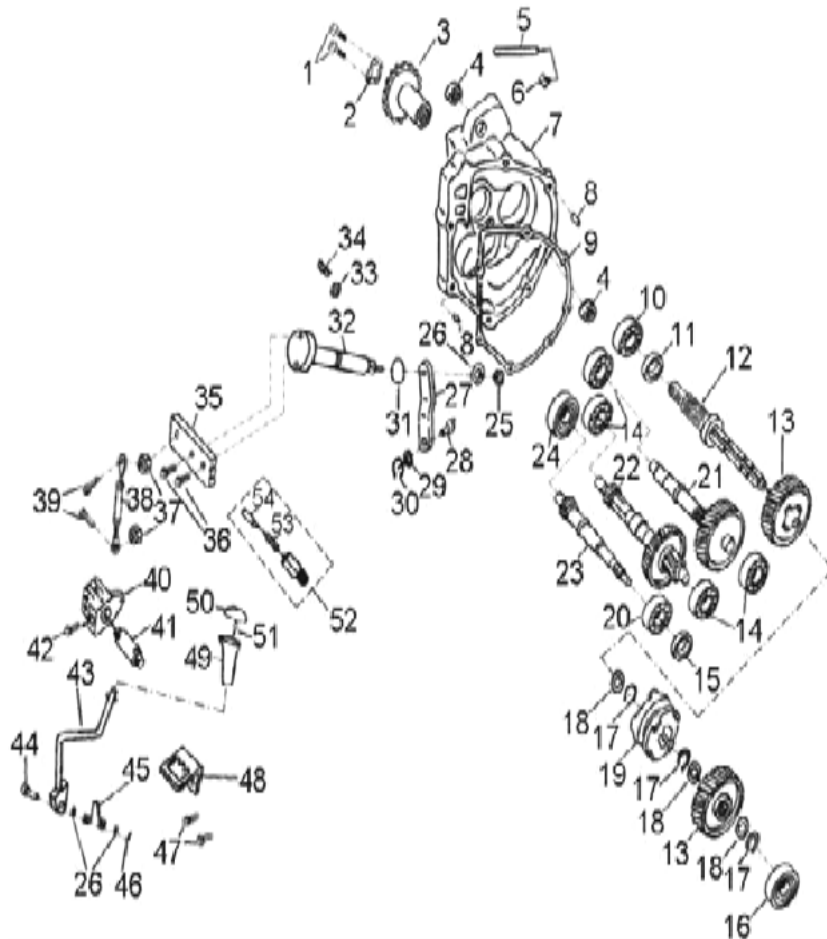
| ITEM | DESCRIPTION | P/N | Q'TY |
|------|----------------------|-------------------|------|
| 1 | Asm., Drive Clutch | 22001156-000 | 1 |
| 2 | Clip, Cir | 94511-0700E | 3 |
| 3 | Plate, Drive, Side | 22351119-000 | 1 |
| 4 | Spring, Clutch | 22401119-000 | 3 |
| 5 | Weight, Clutch | 22535156-000 | 3 |
| 6 | Bushing, Rubber | 22804119-000 | 3 |
| 7 | Plate, Drive, Inner | 22350119-000 | 1 |
| 8 | Nut | 90202-28000-00C | 1 |
| 9 | Clutch, Outer | 22100119-000 | 1 |
| 10 | Nut | 94050-12000-00C | 1 |
| 11 | Seal, Collor | 23238119-000 | 1 |
| 12 | Spring, Clutch | 23233158-000 | 1 |
| 13 | Seal, Collor | 23237119-000 | 1 |
| 14 | O-Ring | 93210-03920 | 2 |
| 15 | Seal, Oil | 96500-34410400000 | 2 |
| 16 | Sheave, Moveable | 23220119-000 | 1 |
| 17 | Roller, Guide | 23226119-000 | 3 |
| 18 | Pin, Guide | 23225119-000 | 3 |
| 19 | Asm., Sheave, Driven | 23200119-000 | 1 |
| 20 | Sheave, Driven | 23210119-000 | 1 |
| 21 | Bearing, Ball | 96100-69020-U0000 | 1 |
| 22 | Clip, Cir | 94512-280IR | 1 |
| 23 | Bearing, Needle | 96200-202918 | 1 |
| 24 | Belt, Driven | 23100122-000 | 1 |

D-11: TRANSMISSION LEVER



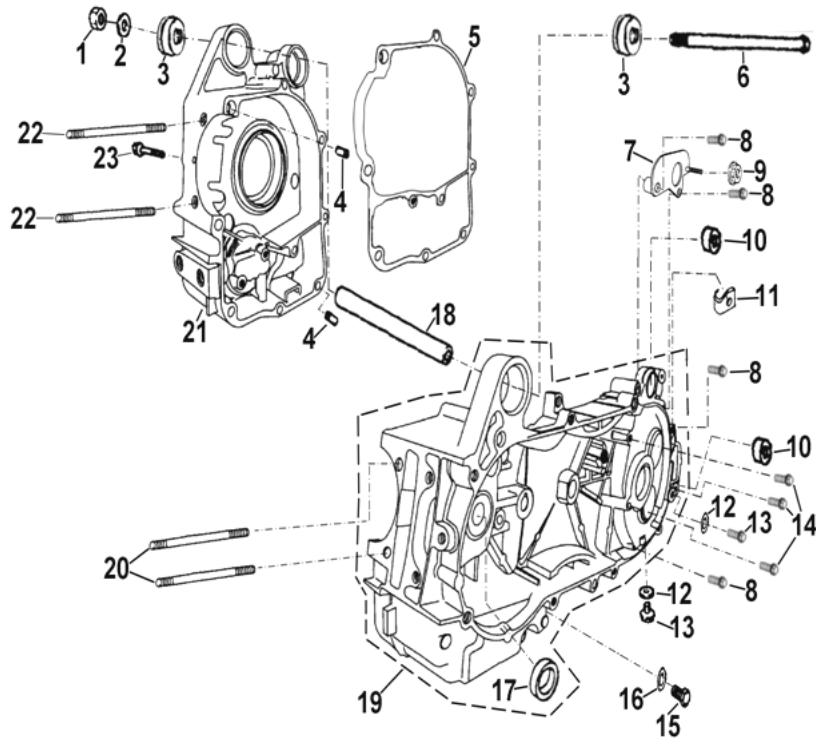
| ITEM | DESCRIPTION | P/N | Q'TY |
|------|----------------------------|-------------------|------|
| 1 | Bolt | 92000-060108-00C | 2 |
| 2 | Bracket, Sprocket | 23811201-000 | 1 |
| 3 | Sprocket, Drive | 23801159-001 | 1 |
| 4 | Bushing, Rubber | 96400-082223 | 2 |
| 5 | Hose | 94408-05007-170 | 1 |
| 6 | Breather, Crankcase, Lower | 11610113-000 | 1 |
| 7 | Cover, Transmission | 21301158-002 | 1 |
| 8 | Pin, Dowel | 94301-08140 | 2 |
| 9 | Gasket, Transmission Cover | 21395156-000 | 1 |
| 10 | Bearing, Ball | 96100-60050-U0000 | 1 |
| 11 | Seal, Oil | 96500-304707A7271 | 1 |
| 12 | Shaft | 23431156-002 | 1 |
| 13 | Gear, Shift | 23434201-000 | 2 |
| 14 | Bearing, Ball | 96100-62020-00000 | 4 |
| 15 | Seal, Oil | 96500-203206T3034 | 1 |
| 16 | Bearing, Ball | 96100-62030-00000 | 1 |
| 17 | Retainer | 23436201-000 | 3 |
| 18 | Washer, Spline | 23435201-000 | 3 |
| 19 | Ratchet, Shift | 22430201-000 | 1 |
| 20 | Bearing, Ball | 96100-62040-JR2C3 | 1 |
| 21 | Asm., Idler Shaft | 23433156-000 | 1 |
| 22 | Asm., Reverse Shaft | 23420156-000 | 1 |
| 23 | Shaft, Drive | 23411119-000 | 1 |
| 24 | Bearing, Ball | 96100-TMB30-10000 | 1 |
| 25 | Nut | 90350-08000-0UK | 1 |
| 26 | Washer | 94101-0816015-00C | 3 |
| 27 | Fork, Shift Gear | 21312156-000 | 1 |
| 28 | Pin, Shift Gear | 21311156-000 | 1 |
| 29 | Washer | 23437156-000 | 1 |
| 30 | Retainer | 23438156-000 | 1 |
| 31 | O-Ring | 93210-01425 | 1 |
| 32 | Bracket, Shift | 21313156-000 | 1 |
| 33 | Washer | 94101-0510010-00B | 1 |
| 34 | Bolt | 91000-050098-00K | 1 |
| 35 | Fork, Shift | 21314156-000 | 1 |
| 36 | Bolt | 96000-060128-10C | 2 |
| 37 | Nut | 90350-06000-00K | 2 |
| 38 | Rod End | 21316201-000 | 1 |
| 39 | Bolt | 91000-060258-00K | 2 |
| 40 | Lever, Shift | 21317156-000 | 1 |

D-11: TRANSMISSION LEVER



| ITEM | DESCRIPTION | P/N | Q'TY |
|------|--------------------------|------------------|------|
| 41 | Bracket, Shift Lever | 21318156-000 | 1 |
| 42 | Bolt | 96000-060258-00K | 1 |
| 43 | Lever, Shift | 21319201-000 | 1 |
| 44 | Pin, Lever, Shift | 21321156-000 | 1 |
| 45 | Spring, Shift | 21320201-000 | 1 |
| 46 | Pin, Cotter | 94201-25190 | 1 |
| 47 | Bolt | 96000-060128-10K | 2 |
| 48 | Gate, Shift | 21323156-000 | 1 |
| 49 | Knob, Transmission Lever | 21328158-000 | 1 |
| 50 | Cover | 21327158-000 | 1 |
| 51 | Bolt | 96000-060168-00K | 1 |
| 52 | Asm., Positioner | 21315156-000 | 1 |
| 53 | Spring | 21325156-000 | 1 |
| 54 | Pin | 21324156-000 | 1 |

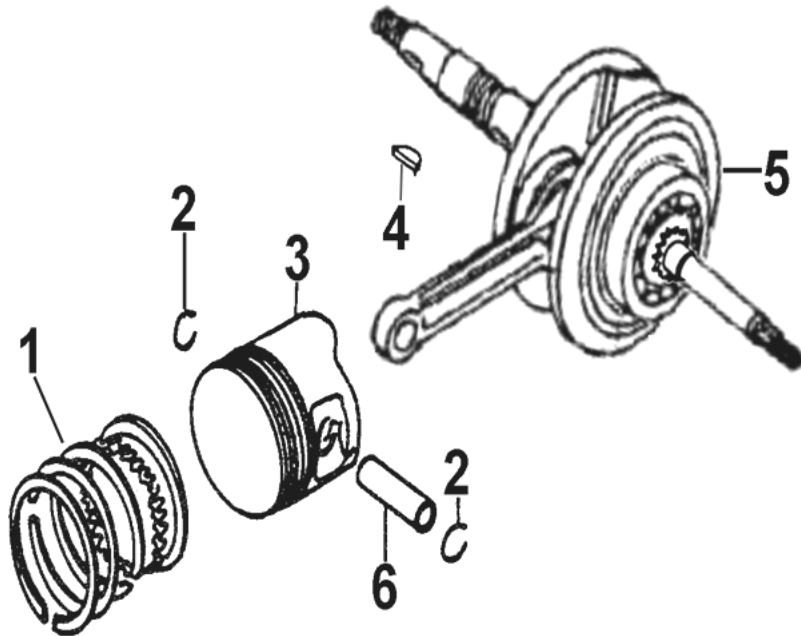
D-12: CRANKCASE



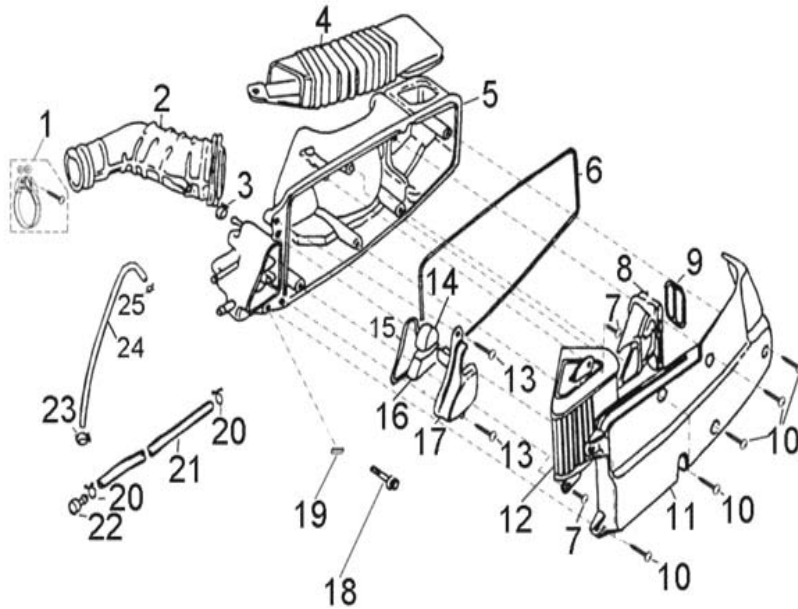
| ITEM | DESCRIPTION | P/N | Q'TY |
|------|--------------------------|-------------------|------|
| 1 | Nut | 90350-10000-00C | 1 |
| 2 | Washer | 94101-1022020-00C | 1 |
| 3 | Bushing, Rubber | 96400-102822 | 2 |
| 4 | Pin, Dowel | 94301-08140 | 2 |
| 5 | Gasket | 11191122-000 | 1 |
| 6 | Bolt | 96000-101978-14C | 1 |
| 7 | Bracket, Air Cleaner | 17237201-000 | 1 |
| 8 | Bolt | 96000-060608-08C | 4 |
| 9 | Nut | 94050-06000-00K | 1 |
| 10 | Bushing, Rubber | 96400-082223 | 2 |
| 11 | Bracket, Carburator Tube | 11351111-000 | 1 |
| 12 | Washer | 94101-0816020-00L | 2 |
| 13 | Bolt | 96000-080128-10C | 2 |
| 14 | Bolt | 96000-060708-08C | 3 |
| 15 | Bolt | 96000-120158-14C | 1 |
| 16 | Washer | 94101-1221320-00L | 1 |
| 17 | Seal, Oil | 96501-19300500000 | 1 |
| 18 | Spacer, Collar | 11150156-001 | 1 |
| 19 | Crankcase, LH | 11201158-003 | 1 |
| 20 | Stud | 91001-081878-00C | 2 |
| 21 | Crankcase, RH | 11101158-000 | 1 |
| 22 | Stud | 91001-081818-00C | 2 |
| 23 | Bolt | 96000-060508-00C | 1 |

D-13: CRANKSHAFT

| ITEM | DESCRIPTION | P/N | Q'TY |
|------|------------------|--------------|------|
| 1 | Ring Set, Piston | 13011158-000 | 1 |
| 2 | Clip, Piston Pin | 13115119-000 | 2 |
| 3 | Piston | 13100158-000 | 1 |
| 4 | Key, Woodruff | 90471-04014 | 1 |
| 5 | Asm., Crankshaft | 13020202-000 | 1 |
| 6 | Pin, Piston | 13111158-000 | 1 |

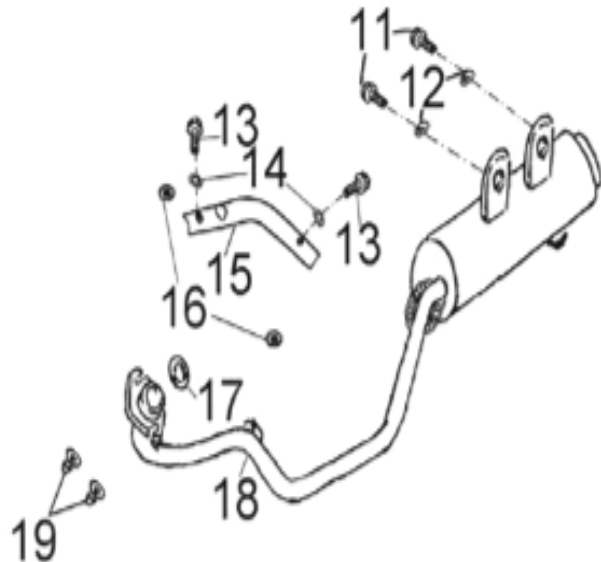
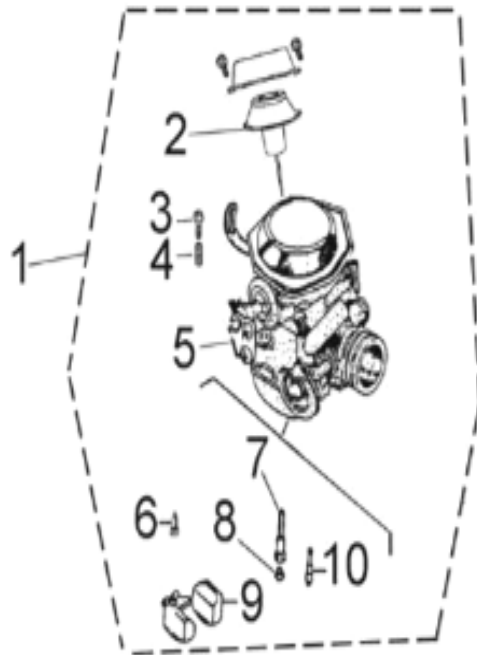


D-14: AIR CLEANER



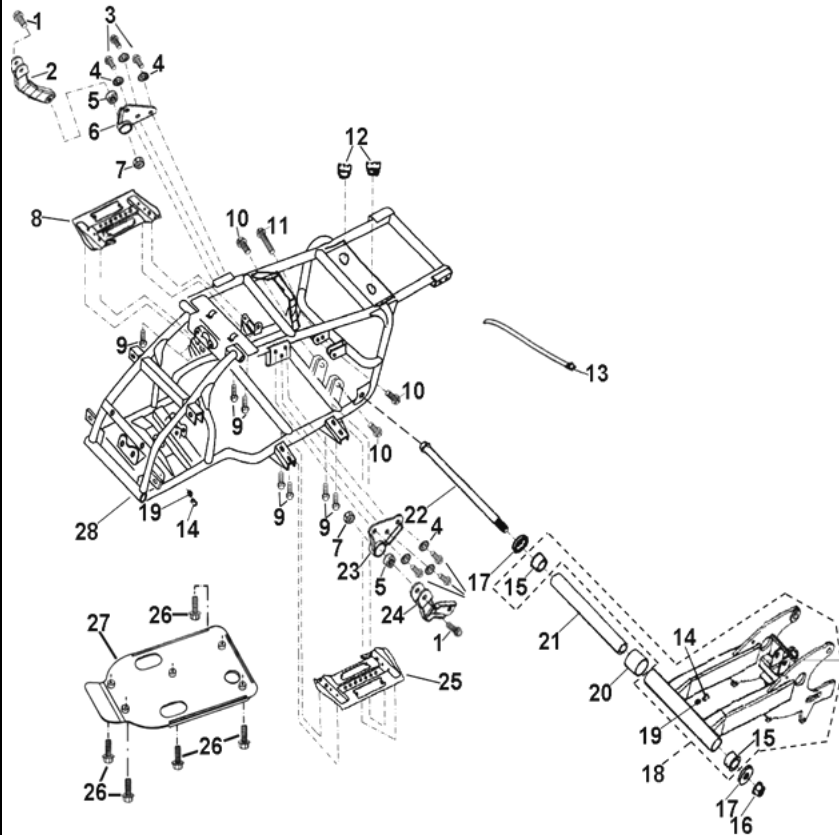
| ITEM | DESCRIPTION | P/N | Q'TY |
|------|--------------------------|-------------------|------|
| 1 | Clamp, Hose | 17102119-000 | 1 |
| 2 | Boot | 17253201-000 | 1 |
| 3 | Clamp | 94509-09000 | 1 |
| 4 | Inlet, Air Box | 17257119-000 | 1 |
| 5 | Box, Air Cleaner | 17206119-000 | 1 |
| 6 | Gasket, Cover | 17213119-000 | 1 |
| 7 | Bolt | 93500-050108-00K | 2 |
| 8 | Duct, Inlet | 17255119-000 | 1 |
| 9 | Spring | 17258119-000 | 1 |
| 10 | Screw | 93903-2050208-00K | 7 |
| 11 | Cover, Air Cleaner | 17207119-000 | 1 |
| 12 | Filter, Air Cleaner | 17205119-000 | 1 |
| 13 | Screw | 93903-1040128-00K | 2 |
| 14 | Element, Air Cleaner | 17234119-000 | 1 |
| 15 | Seal | 17212119-000 | 1 |
| 16 | Filter, Inlet, Separator | 17235119-000 | 1 |
| 17 | Cover, Separator | 17232119-000 | 1 |
| 18 | Bolt | 96000-060328-16C | 1 |
| 19 | Rubber | 81113153-000 | 1 |
| 20 | Clamp | 94510-12000 | 2 |
| 21 | Hose, Drain | 94404-08012-000 | 1 |
| 22 | Plug, Trap | 17370119-000 | 1 |
| 23 | Clamp | 94509-08500 | 1 |
| 24 | Hose | 11211119-000 | 1 |
| 25 | Clamp | 94510-08000 | 1 |

D-15: EXHAUST PIPE/CARBURETOR



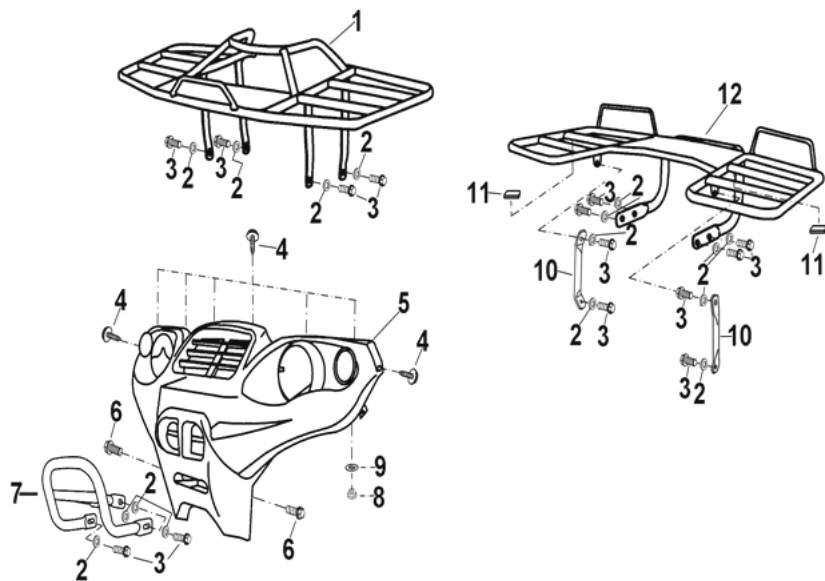
| ITEM | DESCRIPTION | P/N | Q'TY |
|------|---------------------------|-------------------|------|
| 1 | Asm., Carburetor | 16100203-000 | 1 |
| 2 | Throttle Valve, Diaphragm | 16050202-000 | 1 |
| 3 | Screw, Idle | 16171201-000 | 1 |
| 4 | Spring | 16172201-000 | 1 |
| 5 | Bracket, Throttle Cable | 16120119-000 | 1 |
| 6 | Valve, Float | 16117201-000 | 1 |
| 7 | Valve, Needle | 16105182-000 | 1 |
| 8 | Jet, Main | 16108211-000 | 1 |
| 9 | Float | 16118182-000 | 1 |
| 10 | Jet, Pilot | 16110182-000 | 1 |
| 11 | Bolt | 96000-080168-0KL | 2 |
| 12 | Washer | 94101-0822020-00C | 2 |
| 13 | Bolt | 96000-060108-00B | 2 |
| 14 | Gasket | 94102-0613010-000 | 2 |
| 15 | Shield, Silencer | 18315156-000 | 1 |
| 16 | Gasket | 94102-0817020-000 | 2 |
| 17 | Gasket | 18291119-000 | 1 |
| 18 | Pipe, Exhaust | 18301186-000 | 1 |
| 19 | Nut | 90301-08000-00C | 2 |

D-16: FRAME BODY



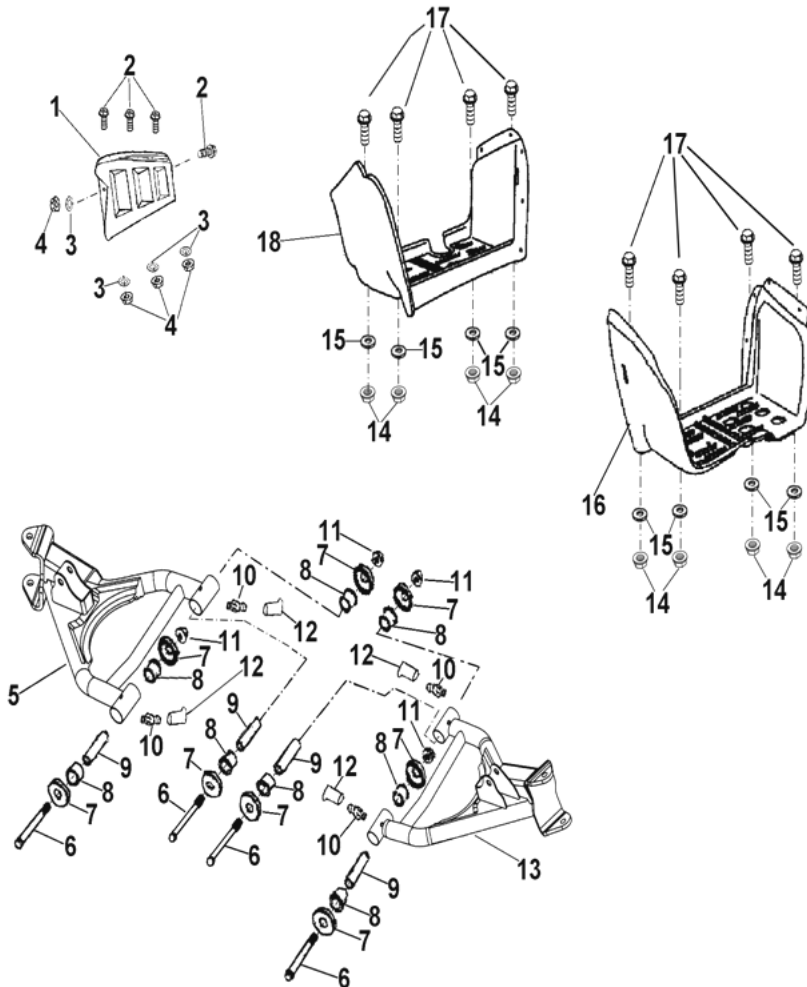
| ITEM | DESCRIPTION | P/N | Q'TY |
|------|---------------------------|-------------------|------|
| 1 | Bolt | 96000-100438-0KL | 2 |
| 2 | Bracket, Engine Mount, RH | 50351202-000 | 1 |
| 3 | Bolt | 96000-100208-0KL | 6 |
| 4 | Washer, Spring | 94111-1001502-00K | 6 |
| 5 | Bushing, Rubber | 96400-102822 | 2 |
| 6 | Bracket, Engine, RH | 50372201-000 | 1 |
| 7 | Nut | 90350-10000-0UC | 2 |
| 8 | Bracket, Footwell, RH | 51105156-000 | 1 |
| 9 | Bolt | 96000-080128-00K | 8 |
| 10 | Bolt | 96000-080408-00K | 3 |
| 11 | Bolt | 96000-081258-00K | 1 |
| 12 | Rubber, Seat | 77220131-000 | 2 |
| 13 | Strap | 89569131-000 | 21 |
| 14 | Cap, Valve, Grease | 51301131-000 | 2 |
| 15 | Seat, Grease Contain | 52524131-000 | 2 |
| 16 | Nut | 90350-14000-0UC | 1 |
| 17 | Cover, Swing Arm Seal | 52422131-000 | 2 |
| 18 | Arm, Swing | 52410182-A03 | 1 |
| 19 | Valve, Grease | 51300131-000 | 2 |
| 20 | Sleeve, Rubber | 52423156-000 | 1 |
| 21 | Tube, Spacer | 52420131-000 | 1 |
| 22 | Bolt | 96000-142908-00C | 1 |
| 23 | Bracket, Engine Mount, LH | 50371201-000 | 1 |
| 24 | Bracket, Engine Mount, RH | 50355202-000 | 1 |
| 25 | Bracket, Footwell, LH | 51120156-000 | 1 |
| 26 | Bolt | 92005-060168-00K | 5 |
| 27 | Shield, Chassis | 50106158-000 | 1 |
| 28 | Asm., Frame | 50100182-A01 | 1 |

D-17: BUMPER/RACK



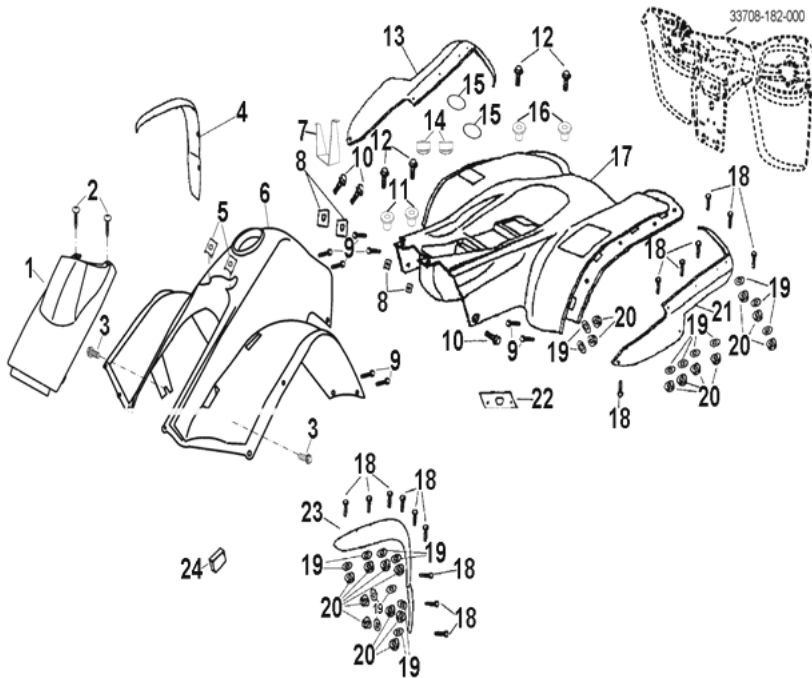
| ITEM | DESCRIPTION | P/N | Q'TY |
|------|---------------------|-------------------|------|
| 1 | Bracket, Front Rack | 50495182-A00 | 1 |
| 2 | Washer | 94121-0816010-00K | 16 |
| 3 | Bolt | 96000-080168-0KL | 14 |
| 4 | Bolt | 93100-050168-00K | 8 |
| 5 | Cover, Headlight | 50460182-000 | 1 |
| 6 | Bolt | 92003-060168-00K | 2 |
| 7 | Bumper | 50455182-A00 | 1 |
| 8 | Nut | 90350-05000-00K | 8 |
| 9 | Washer | 94101-0514010-00K | 8 |
| 10 | Bracket, RH | 81121182-A00 | 2 |
| 11 | Rubber | 81113153-000 | 2 |
| 12 | Bracket, Rear Rack | 81111182-A00 | 1 |
| 13 | Bolt | 96000-080208-0KL | 2 |

D-18: SWING ARM/FOOTREST



| ITEM | DESCRIPTION | P/N | Q'TY |
|------|-----------------------------|-------------------|------|
| 1 | Shield, Heat | 50480156-000 | 1 |
| 2 | Bolt | 93100-050168-00K | 4 |
| 3 | Washer | 94101-0514010-00K | 4 |
| 4 | Nut | 90350-05000-00K | 4 |
| 5 | Arm, Suspension, Silver, RH | 53030202-00A | 1 |
| 6 | Bolt | 96000-100758-0KL | 4 |
| 7 | Cap, Rubber | 52426156-000 | 8 |
| 8 | Bushing | 53135203-000 | 8 |
| 9 | Spacer | 53140156-000 | 4 |
| 10 | Valve, Grease | 51300131-000 | 4 |
| 11 | Nut | 94050-10000-00C | 4 |
| 12 | Cap, Valve, Grease | 51301131-000 | 4 |
| 13 | Arm, Suspension, Silver, LH | 53130202-00A | 1 |
| 14 | Nut | 90350-06000-00K | 8 |
| 15 | Washer | 94101-0613010-00K | 8 |
| 16 | Footwell, LH | 64310156-001 | 1 |
| 17 | Bolt | 92005-060168-00K | 8 |
| 18 | Footwell, RH | 64300156-000 | 1 |

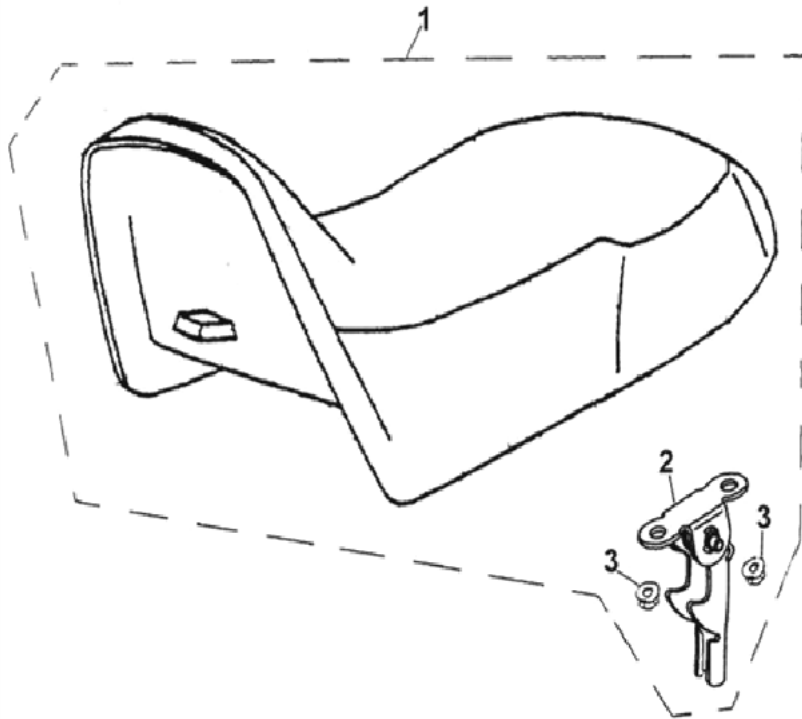
D-19: FENDER



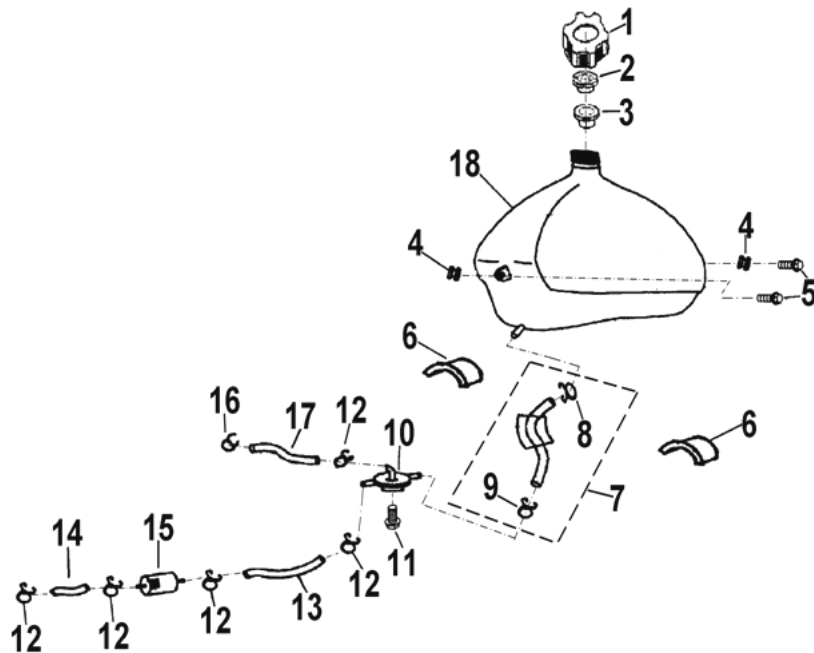
| ITEM | DESCRIPTION | P/N | Q'TY |
|------|-----------------------------|-------------------|------|
| 1 | Cover, Front Fender (red) | 61300182-485 | 1 |
| 1 | Cover, Front Fender (green) | 61300182-617 | 1 |
| 2 | Screw | 93903-1040128-00K | 2 |
| 3 | Bolt | 92003-060168-00K | 2 |
| 4 | Mudflap, Front, RH | 61105182-000 | 1 |
| 5 | U-Nut | 90345-04000-02T | 2 |
| 6 | Cab, Front (red) | 61100182-485 | 1 |
| 6 | Cab, Front (green) | 61100182-617 | 1 |
| 7 | Bracket, Battery | 31521201-000 | 1 |
| 8 | Nut, U-Plate | 90344-06000-00C | 4 |
| 9 | Bolt | 93100-050128-00K | 8 |
| 10 | Bolt | 93800-060168-00K | 4 |
| 11 | Washer | 94150-0717050-00K | 2 |
| 12 | Bolt | 92005-060168-00K | 4 |
| 13 | Mudflap, Rear, RH | 61005182-000 | 1 |
| 14 | Rubber, Battery | 31510201-000 | 2 |
| 15 | O-Ring | 93210-04635 | 2 |
| 16 | Washer | 94150-0717075-00K | 2 |
| 17 | Cab, Rear (red) | 61000182-485 | 1 |
| 17 | Cab, Rear (green) | 61000182-617 | 1 |
| 18 | Bolt | 93100-050168-00K | 32 |
| 19 | Washer | 94101-0514010-00K | 40 |
| 20 | Nut | 90350-05000-00K | 40 |
| 21 | Mudflap, Rear, LH | 61010182-000 | 1 |
| 22 | Decal, Isolation | 80140131-000 | 1 |
| 23 | Mudflap, Front, LH | 61110182-000 | 1 |
| 24 | Rubber | 81113153-000 | 1 |

D-20: SEAT

| ITEM | DESCRIPTION | P/N | Q'TY |
|------|-------------|-----------------|------|
| 1 | Seat | 77200182-000 | 1 |
| 2 | Hook, Seat | 77210131-000 | 1 |
| 3 | Nut | 94050-06000-00C | 2 |



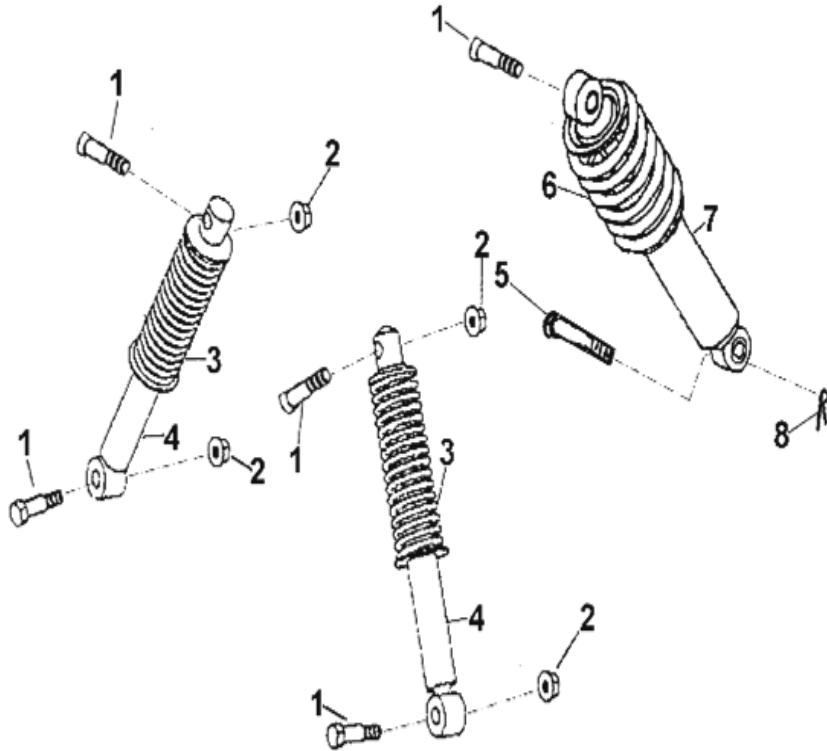
D-21: FUEL TANK



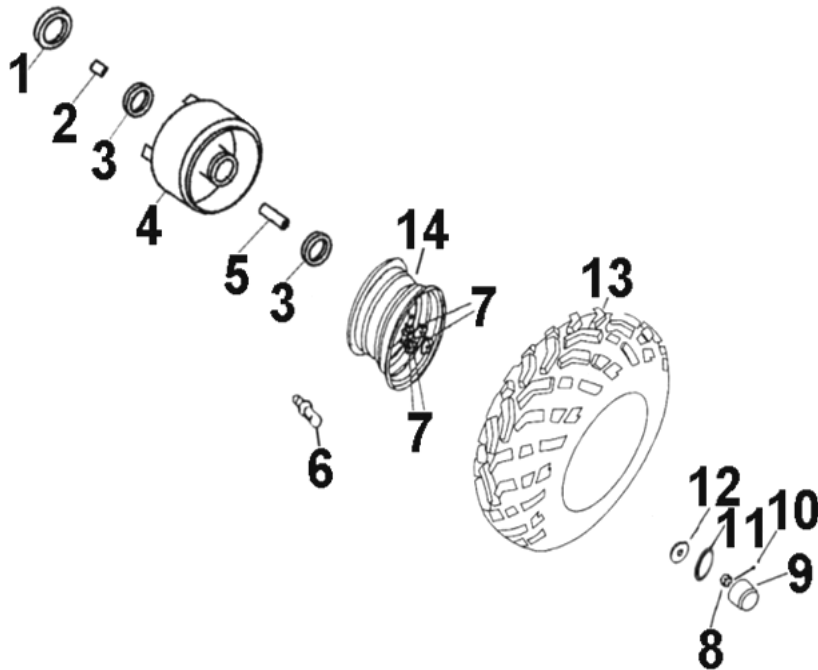
| ITEM | DESCRIPTION | P/N | Q'TY |
|------|---------------------|------------------|------|
| 1 | Cap, Fuel | 17623156-000 | 1 |
| 2 | Vent, Fuel Cap | 17621156-000 | 1 |
| 3 | Diaphragm, Fuel Cap | 17625131-000 | 1 |
| 4 | Cap | 83574131-000 | 2 |
| 5 | Bolt | 92005-060168-00K | 2 |
| 6 | Rubber, Fuel Tank | 64319131-000 | 2 |
| 7 | Hose, Fuel | 94401-05009-001 | 1 |
| 8 | Clamp | 94510-12000 | 1 |
| 9 | Clamp | 94510-08000 | 1 |
| 10 | Valve, Fuel | 17950111-000 | 1 |
| 11 | Bolt | 96000-060168-00K | 1 |
| 12 | Clamp | 94510-08000 | 5 |
| 13 | Hose, Fuel | 94401-05009-050 | 1 |
| 14 | Hose, Fuel | 94401-05009-150 | 1 |
| 15 | Filter, Fuel | 17952111-000 | 1 |
| 16 | Clip | 94510-06000 | 1 |
| 17 | Tube, Oil | 94403-04008-300 | 1 |
| 18 | Tank, Fuel | 17500156-000 | 1 |

D-22: SUSPENSION

| ITEM | DESCRIPTION | P/N | Q'TY |
|------|--------------------------------|------------------|------|
| 1 | Bolt | 96000-100408-0KL | 5 |
| 2 | Nut | 94050-10000-00C | 4 |
| 3 | Spring, Suspension, Front | 51101156-00B | 2 |
| 4 | Tube, Inner, Suspension, Front | 51102156-00B | 2 |
| 5 | Shaft, Suspension, Rear | 52415156-000 | 1 |
| 6 | Spring, Suspension, Rear | 52401156-001 | 1 |
| 7 | Shock, Rear | 52402156-000 | 1 |
| 8 | Pin, Cotter | 94201-25190 | 1 |



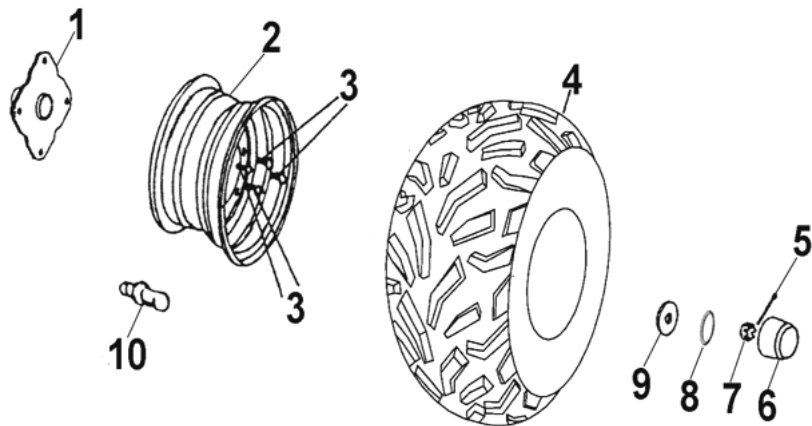
D-23: FRONT WHEEL



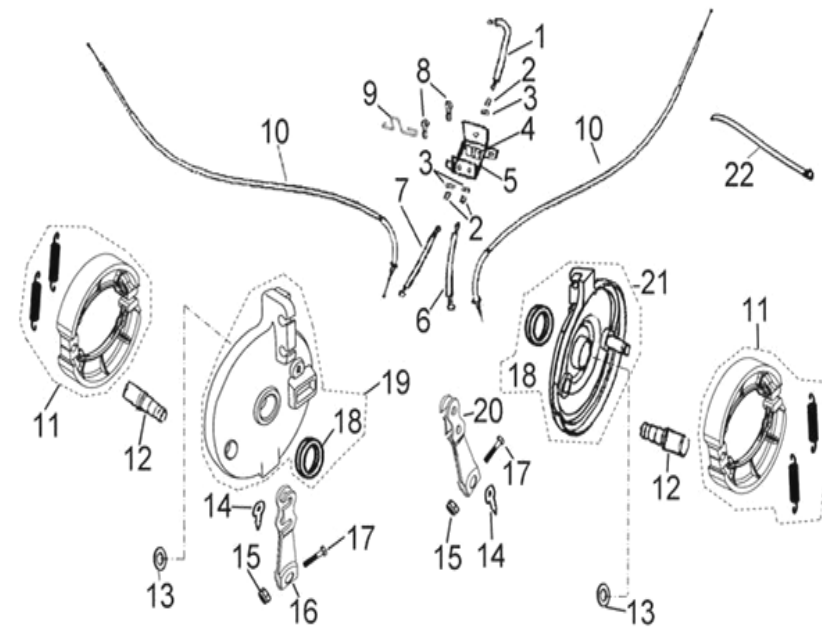
| ITEM | DESCRIPTION | P/N | Q'TY |
|------|--------------------|-------------------|------|
| 1 | Seal, Oil | 96500-233506A7271 | 2 |
| 2 | Spacer | 44312156-000 | 2 |
| 3 | Bearing, Ball | 96100-60030-ZZ000 | 4 |
| 4 | Drum, Brake, Front | 45008156-000 | 2 |
| 5 | Spacer | 44311156-000 | 2 |
| 6 | Valve, Rim | 42616131-000 | 2 |
| 7 | Nut | 90350-10000-0UC | 8 |
| 8 | Nut | 90353-14000-00C | 2 |
| 9 | Cap, Hub | 42730151-000 | 2 |
| 10 | Pin, Cotter | 94201-32320 | 2 |
| 11 | Washer | 94121-1426016-000 | 2 |
| 12 | Washer | 94101-1443030-00C | 2 |
| 13 | Tire | 42711209-000 | 2 |
| 14 | Rim, Front | 42701182-000 | 2 |

D-24: REAR WHEEL

| ITEM | DESCRIPTION | P/N | Q'TY |
|------|-------------|-------------------|------|
| 1 | Hub, Wheel | 42010202-000 | 2 |
| 2 | Rim, Rear | 42801182-000 | 2 |
| 3 | Nut | 90350-10000-0UC | 8 |
| 4 | Tire | 42811162-001 | 2 |
| 5 | Washer | 94101-1443030-00C | 2 |
| 6 | Washer | 94121-1426016-000 | 2 |
| 7 | Pin, Cotter | 94201-32320 | 2 |
| 8 | Cap, Hub | 42730151-000 | 2 |
| 9 | Nut | 90352-14000-00C | 2 |
| 10 | Valve, Rim | 42616131-000 | 2 |

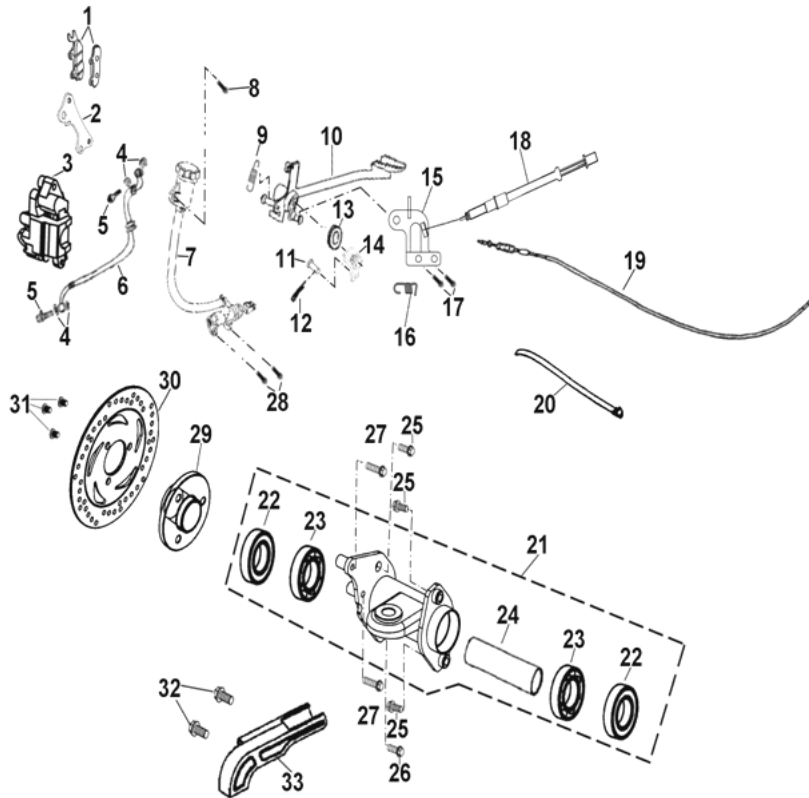


D-25: FRONT BRAKE



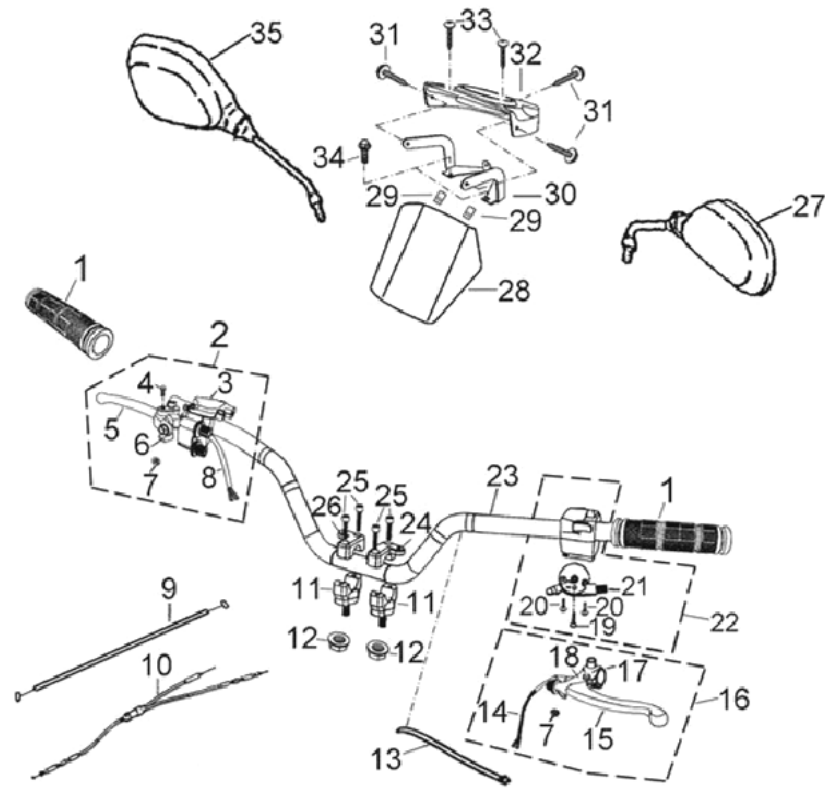
| ITEM | DESCRIPTION | P/N | Q'TY |
|------|--------------------------|-------------------|------|
| 1 | Asm., Cable, Brake Pedal | 45454203-000 | 1 |
| 2 | Bolt, Insert | 45421133-000 | 3 |
| 3 | Nut | 90353-08000-00G | 3 |
| 4 | Arm, Swing | 43452133-001 | 1 |
| 5 | Bracket, Pedal | 43453133-001 | 1 |
| 6 | Cable, Pedal, LH | 45457203-000 | 1 |
| 7 | Cable, Pedal, RH | 45455203-000 | 1 |
| 8 | Bolt | 93902-060088-00B | 2 |
| 9 | Pin | 94205-02052 | 1 |
| 10 | Cable, Front Brake | 45450204-000 | 2 |
| 11 | Shoe, brake, Rear | 43120111-00C | 2 |
| 12 | Shaft, Cam, Front Brake | 45141156-000 | 2 |
| 13 | Washer | 94101-1722010-00K | 2 |
| 14 | Indicator, Brake | 45142156-000 | 2 |
| 15 | Nut | 94001-06000-00C | 2 |
| 16 | Arm, Front Brake, RH | 45409159-000 | 1 |
| 17 | Bolt | 92000-060308-00B | 2 |
| 18 | Seal, Oil | 96500-4052060 | 2 |
| 19 | Plate, Front Brake, Rh | 45020156-001 | 1 |
| 20 | Arm, Front Brake, LH | 45410159-000 | 1 |
| 21 | Plate, Front Brake, LH | 45010156-000 | 1 |
| 22 | Strap | 89769111-000 | 1 |

D-26: REAR BRAKE



| ITEM | DESCRIPTION | P/N | Q'TY |
|------|--------------------------|-------------------|------|
| 1 | Pads, Brake | 45120182-000 | 1 |
| 2 | Bracket, Pads | 43510201-000 | 1 |
| 3 | Asm., Caliper, Rear | 45000182-000 | 1 |
| 4 | Washer | 94101-1015012-U0B | 4 |
| 5 | Bolt, Banjo | 45456111-000 | 2 |
| 6 | Hose, Brake | 45450182-000 | 1 |
| 7 | Asm., Master Cylinder | 43500182-000 | 1 |
| 8 | Bolt | 96000-060128-10K | 1 |
| 9 | Spring | 43421201-000 | 1 |
| 10 | Lever, Brake, Foot | 43456204-000 | 1 |
| 11 | Pin | 94302-07018 | 1 |
| 12 | Cotter Pin | 94203-12200 | 1 |
| 13 | Washer | 94121-1221005-000 | 1 |
| 14 | Arm, Master Cylinder | 43457201-000 | 1 |
| 15 | Bracket, Rear Cable | 50357202-000 | 1 |
| 16 | Spring, Switch | 43421202-000 | 1 |
| 17 | Bolt | 92001-080148-0KL | 2 |
| 18 | Switch, Brake | 34916201-000 | 1 |
| 19 | Cable,Hand Brake, Rear | 43450182-000 | 1 |
| 20 | Strap | 89768151-000 | 1 |
| 21 | Asm., Housing, Rear Axle | 42803206-A00 | 1 |
| 22 | Seal, Oil | 96500-426208A7271 | 2 |
| 23 | Bearing, Ball | 96100-60070-ZZ000 | 2 |
| 24 | Tube, Spacer | 42810156-001 | 1 |
| 25 | Bolt | 96008-120328-0CL | 3 |
| 26 | Bolt | 96008-120288-0CL | 1 |
| 27 | Bolt | 96000-080388-0KL | 2 |
| 28 | Bolt | 92001-080208-0KL | 2 |
| 29 | Hub, Disc | 43490182-000 | 1 |
| 30 | Disc,Brake | 45010182-000 | 1 |
| 31 | Bolt | 45016131-00K | 3 |
| 32 | Bolt | 96000-080128-00K | 2 |
| 33 | Cover, Rear | 40550156-A00 | 1 |

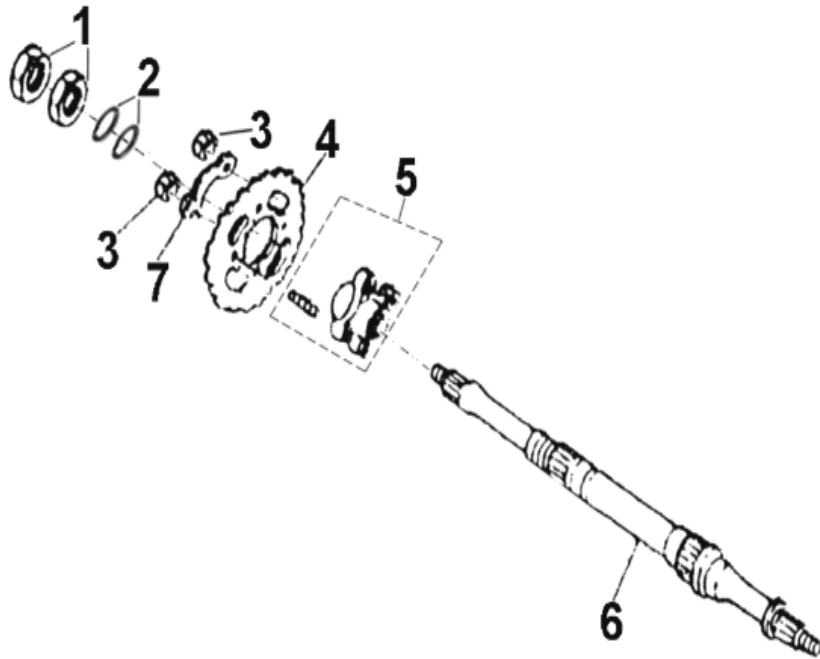
D-27: HANDLEBAR



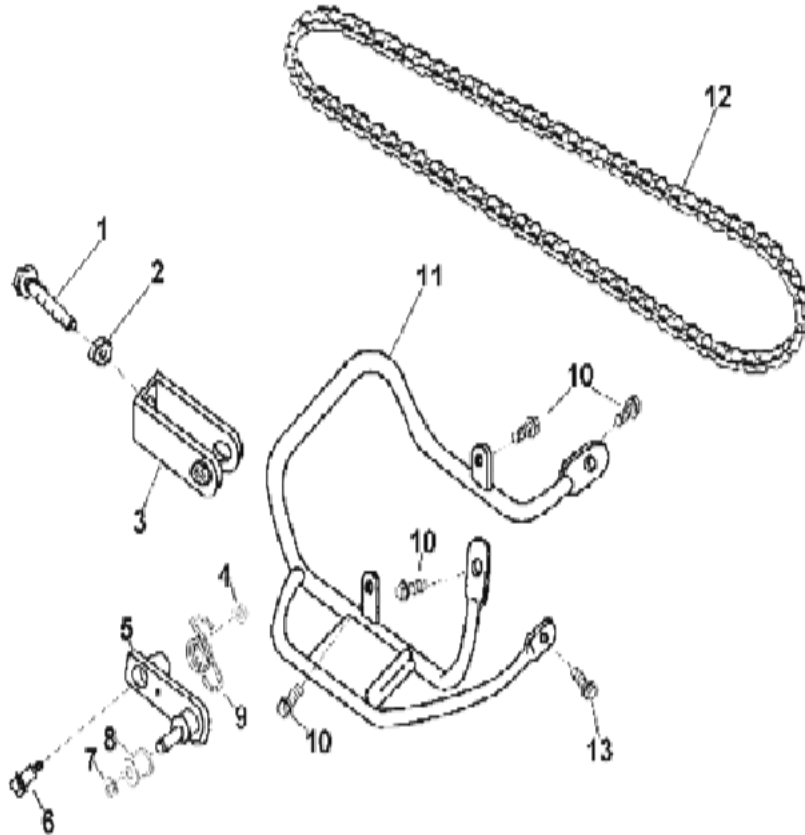
| ITEM | DESCRIPTION | P/N | Q'TY |
|------|-----------------------|-------------------|------|
| 1 | Grip, Handlebar | 53167201-000 | 2 |
| 2 | Asm., Lever, RH | 53172201-000 | 1 |
| 3 | Seat, Lever, RH | 53176201-000 | 1 |
| 4 | Bolt, Brake lever, RH | 90115-090228-000 | 1 |
| 5 | Lever, Brake, RH | 53175180-000 | 1 |
| 6 | Bracket, Brake Cable | 53177131-000 | 1 |
| 7 | Nut | 90350-06000-00K | 2 |
| 8 | Wire, Brake Switch | 53174201-000 | 1 |
| 9 | Choke, Cable, Manual | 53922182-000 | 1 |
| 10 | Cable, Throttle | 53910182-000 | 1 |
| 11 | Clamp, Lower | 53200204-000 | 2 |
| 12 | Nut | 90350-10000-00C | 2 |
| 13 | Strap | 89768151-000 | 1 |
| 14 | Sensor, Brake | 53173131-000 | 1 |
| 15 | Lever, Brake, LH | 53178131-000 | 1 |
| 16 | Asm., Lever LH | 53171204-000 | 1 |
| 17 | Perch, lever, LH | 53170201-000 | 1 |
| 18 | Bolt | 90116-090238-00K | 1 |
| 19 | Bolt | 93500-060088-00K | 1 |
| 20 | Screw | 93100-030048-00B | 2 |
| 21 | Asm., Manual Choke | 35160151-000 | 1 |
| 22 | Asm., Switch, LH | 35151204-000 | 1 |
| 23 | Handlebar | 53100182-A00 | 1 |
| 24 | Clamp, Upper, LH | 53210204-000 | 1 |
| 25 | Bolt | 91000-080258-00K | 4 |
| 26 | Clamp, Upper, RH | 53220204-000 | 1 |
| 27 | Mirror, LH | 88120201-001 | 1 |
| 28 | Shield, Pod | 64212182-000 | 1 |
| 29 | U-Nut | 90345-04000-02T | 2 |
| 30 | Bracket, Pod | 53310181-00A | 1 |
| 31 | Bolt | 93100-050168-00K | 3 |
| 32 | Pod, Handlebar | 64211181-000 | 1 |
| 33 | Screw | 93903-1040128-00K | 2 |
| 34 | Bolt | 96000-060128-10K | 2 |
| 35 | Mirror, RH | 88110204-000 | 1 |

D-28: REAR WHEEL AXLE

| ITEM | DESCRIPTION | P/N | Q'TY |
|------|------------------------|-------------------|------|
| 1 | Nut | 94001-33000-00K | 2 |
| 2 | Washer | 94121-3345012-000 | 2 |
| 3 | Nut | 94002-10000-00C | 4 |
| 4 | Sprocket, Drive, Final | 41201156-000 | 1 |
| 5 | Hub, Sprocket | 41210156-000 | 1 |
| 6 | Axle | 42000158-000 | 1 |
| 7 | Washer, Sprocket | 41202156-000 | 2 |

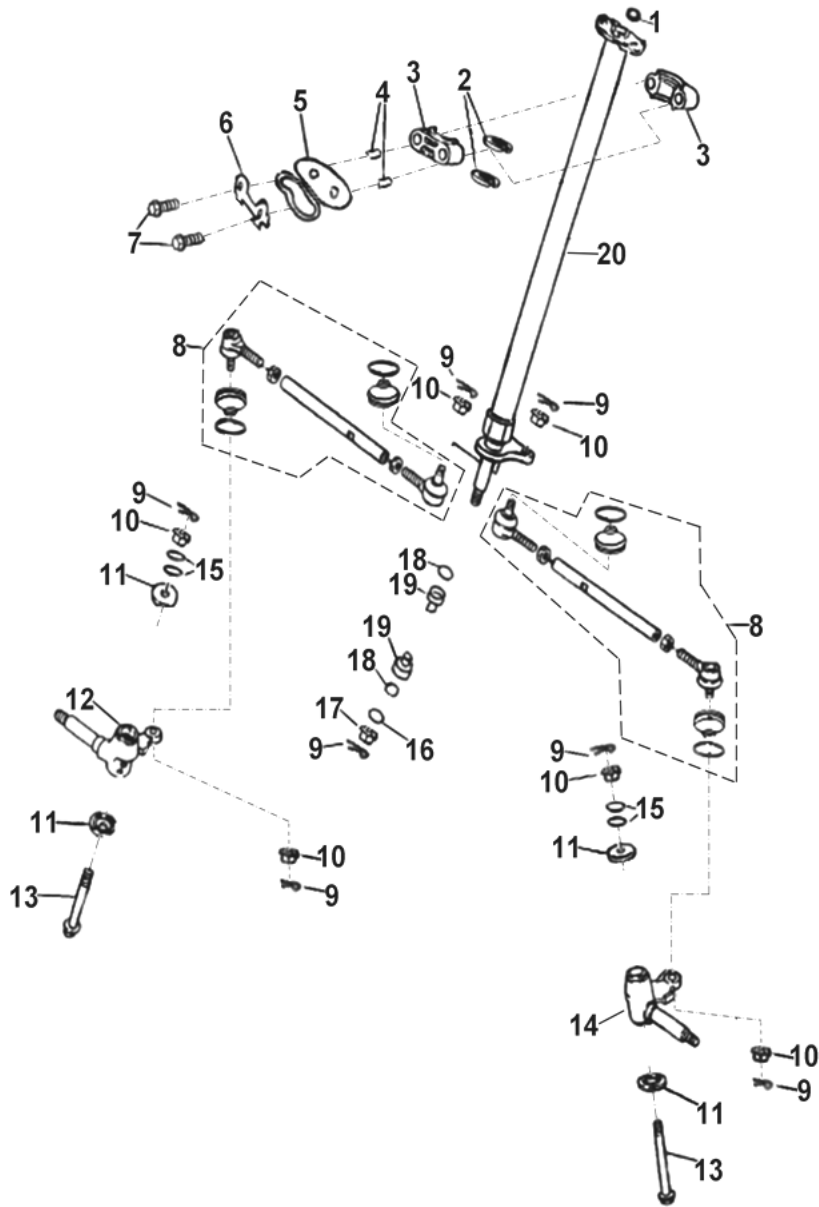


D-29: CHAIN



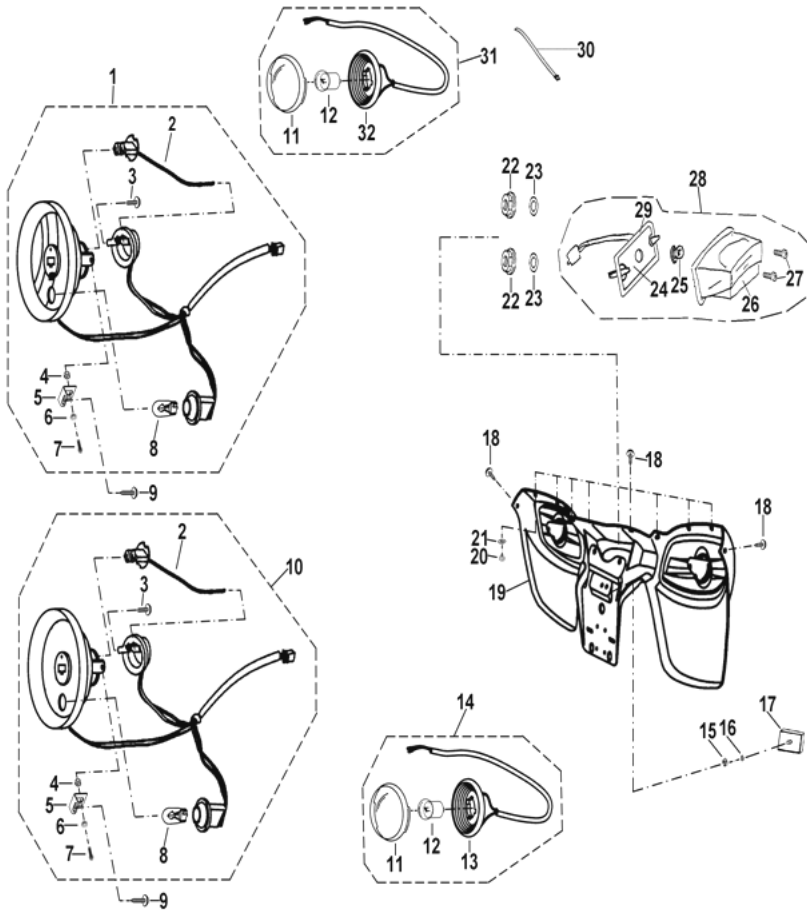
| ITEM | DESCRIPTION | P/N | Q'TY |
|------|--------------------------------|------------------|------|
| 1 | Bolt | 92000-080608-00B | 1 |
| 2 | Nut | 94050-08000-00C | 1 |
| 3 | Adjuster, Chain | 40543156-000 | 1 |
| 4 | Nut | 90350-08000-0UK | 1 |
| 5 | Fixed Bracket, Chain Tensioner | 40539202-000 | 1 |
| 6 | Bolt | 90108-080158-00K | 1 |
| 7 | E-Clip | 94513-1020E | 1 |
| 8 | Roller, Chain Tensioner | 40545201-000 | 1 |
| 9 | Spring | 40541201-000 | 1 |
| 10 | Bolt | 96000-080168-00K | 4 |
| 11 | Cover, Sprocket | 40520182-000 | 1 |
| 12 | Asm., Drive Chain | 40530159-000 | 1 |
| 13 | Bolt | 96000-080148-00K | 1 |

D-30: STEERING



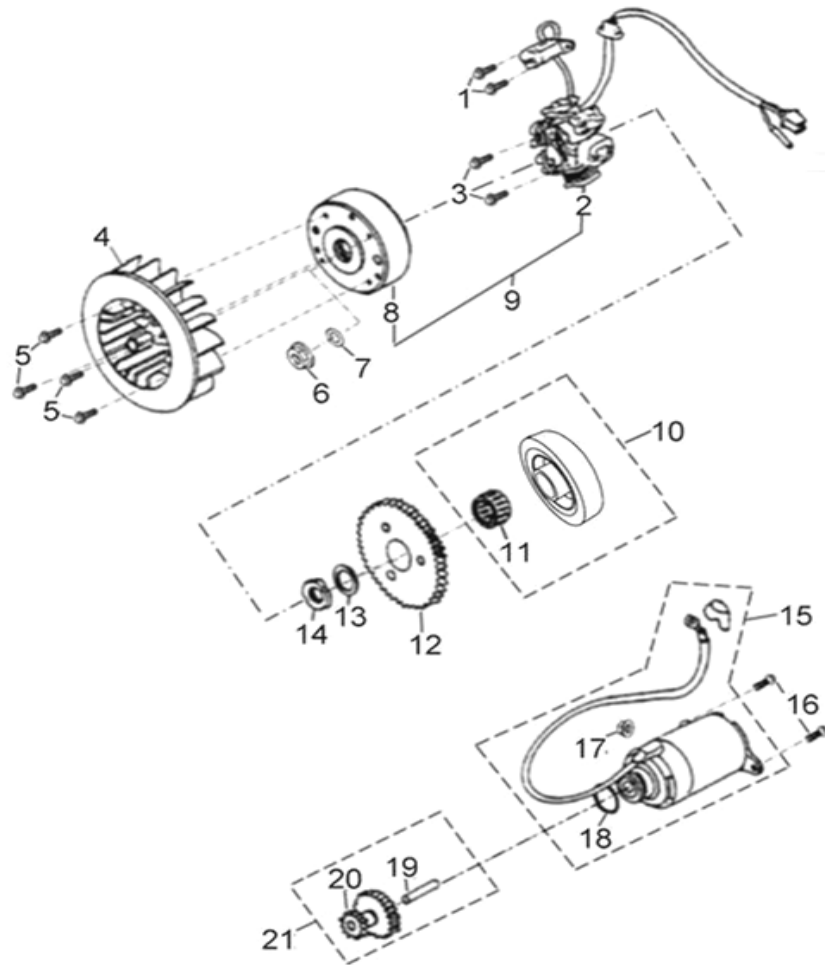
| ITEM | DESCRIPTION | P/N | Q'TY |
|------|----------------------------|-------------------|------|
| 1 | Cap, Rubber | 19611202-000 | 1 |
| 2 | Sleeve, Steering Shaft | 51220156-000 | 2 |
| 3 | Clamp, steering | 53500156-000 | 2 |
| 4 | Spacer | 51317156-000 | 2 |
| 5 | Bracket, Wire Collector | 51318156-000 | 1 |
| 6 | Washer, Lock | 51319156-000 | 1 |
| 7 | Bolt | 92000-080608-00B | 2 |
| 8 | Asm., Tie Rod | 53410202-000 | 2 |
| 9 | Pin, Cotter | 94201-25190 | 7 |
| 10 | Nut | 90352-10000-00C | 6 |
| 11 | Cap, Dustproof | 52424156-000 | 4 |
| 12 | Asm., Steering Knuckle, RH | 51330202-000 | 1 |
| 13 | Bolt | 96004-101058-00K | 2 |
| 14 | Asm., Steering Knuckle, LH | 51325202-000 | 1 |
| 15 | Washer | 94121-1020010-000 | 4 |
| 16 | Washer | 94101-1022010-00U | 1 |
| 17 | Nut | 90350-10000-00C | 1 |
| 18 | O-Ring | 93210-01525 | 2 |
| 19 | Post, Streering | 51111156-000 | 2 |
| 20 | Shaft, Steering | 51112205-A00 | 1 |

D-31: LIGHTS



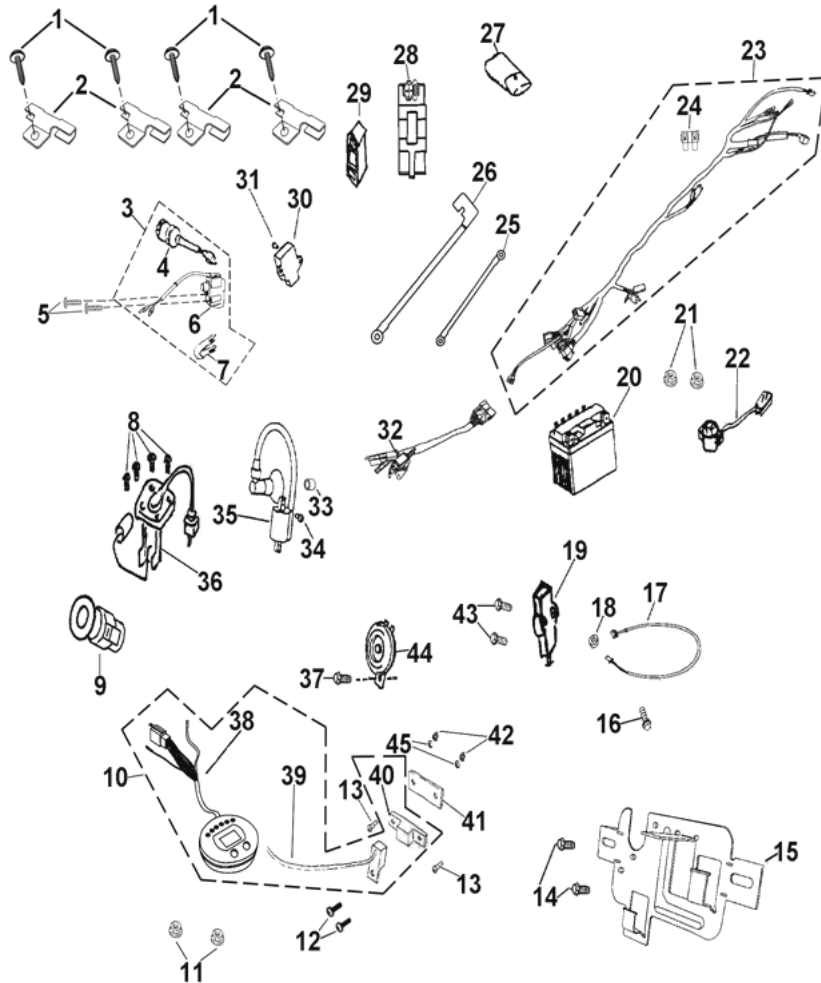
| ITEM | DESCRIPTION | P/N | Q'TY |
|------|-------------------------|-------------------|------|
| 1 | Asm., Low Beam | 33100203-000 | 1 |
| 2 | Bulb | 34901201-000 | 2 |
| 3 | Screw | 93100-030068-00B | 2 |
| 4 | Nut | 94001-06000-00K | 4 |
| 5 | Bracket, Headlight | 33122201-000 | 4 |
| 6 | Washer, Spring | 94111-0610010-00K | 4 |
| 7 | Bolt | 92005-060128-00K | 4 |
| 8 | Bulb, Parking | 34909201-000 | 2 |
| 9 | Screw | 93903-1050128-00K | 4 |
| 10 | Asm., Hight Beam | 33100204-000 | 1 |
| 11 | Lens, Signal | 33402201-000 | 4 |
| 12 | Bulb, Signal | 33905201-000 | 4 |
| 13 | Socket, Signal, LH | 33451201-000 | 2 |
| 14 | Asm., Signal, Front, LH | 33450182-000 | 2 |
| 15 | Nut | 94050-05000-00C | 1 |
| 16 | Washer | 94101-0519010-00K | 1 |
| 17 | Reflector | 33741131-000 | 1 |
| 18 | Bolt | 93100-050168-00K | 10 |
| 19 | License Plate | 33708182-000 | 1 |
| 20 | Nut | 90350-05000-00K | 10 |
| 21 | Washer | 94101-0514010-00K | 10 |
| 22 | Nut | 94050-06000-00C | 2 |
| 23 | Washer | 94101-0619010-00C | 2 |
| 24 | Socket, Taillight | 33711205-000 | 1 |
| 25 | Bulb, Taillight | 34906201-000 | 1 |
| 26 | Lens, Taillight | 33702202-000 | 1 |
| 27 | Bolt | 93500-035398-SUS | 2 |
| 28 | Asm., Taillight | 33700208-000 | 1 |
| 29 | Gasket | 33716205-000 | 1 |
| 30 | Strap | 89768151-000 | 2 |
| 31 | Asm., Signal, Front, RH | 33400182-000 | 2 |
| 32 | Socket, Right Signal | 33401201-000 | 2 |

D-32: GENERATOR/STARTING MOTOR



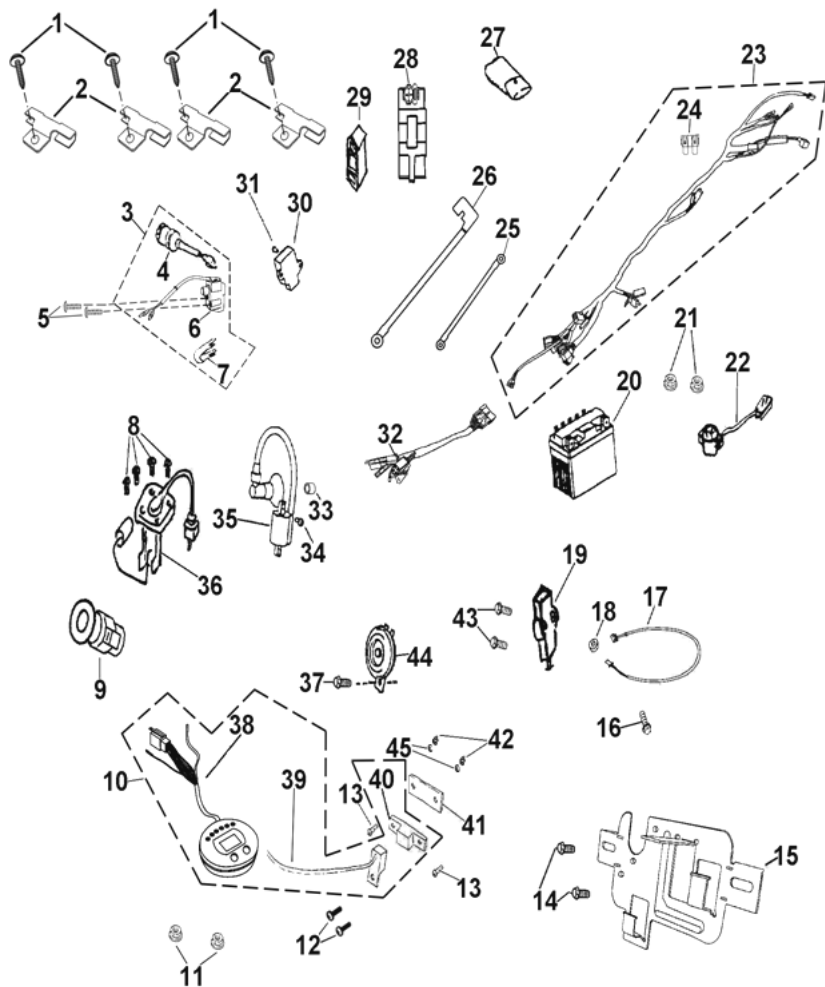
| ITEM | DESCRIPTION | P/N | Q'TY |
|------|----------------------|-------------------|------|
| 1 | Bolt | 92000-050128-00C | 2 |
| 2 | Stator | 31120201-000 | 1 |
| 3 | Bolt | 96000-060208-08C | 2 |
| 4 | Fan | 19510119-000 | 1 |
| 5 | Bolt | 96000-060188-08C | 4 |
| 6 | Nut | 94050-12000-00C | 1 |
| 7 | Washer | 94101-1225023-000 | 1 |
| 8 | Flywheel | 31110207-000 | 1 |
| 9 | Asm., Generator | 31100204-000 | 1 |
| 10 | Asm., One Way Clutch | 28410201-000 | 1 |
| 11 | Bearing, Needle | 96200-283217 | 1 |
| 12 | Gear, Starter | 28220119-000 | 1 |
| 13 | Washer | 94101-2231025-000 | 1 |
| 14 | Nut, Lock | 94071-22000-000 | 1 |
| 15 | Motor, Starter | 31200119-000 | 1 |
| 16 | Bolt | 96000-060188-08C | 2 |
| 17 | Nut | 94050-06000-00C | 1 |
| 18 | O-Ring | 93210-02431 | 1 |
| 19 | Shaft, Starter Motor | 28424119-000 | 1 |
| 20 | Gear, Starter | 28423119-000 | 1 |
| 21 | Asm., Gear Starter | 28422119-000 | 1 |

D-33: ELECTRICAL PARTS



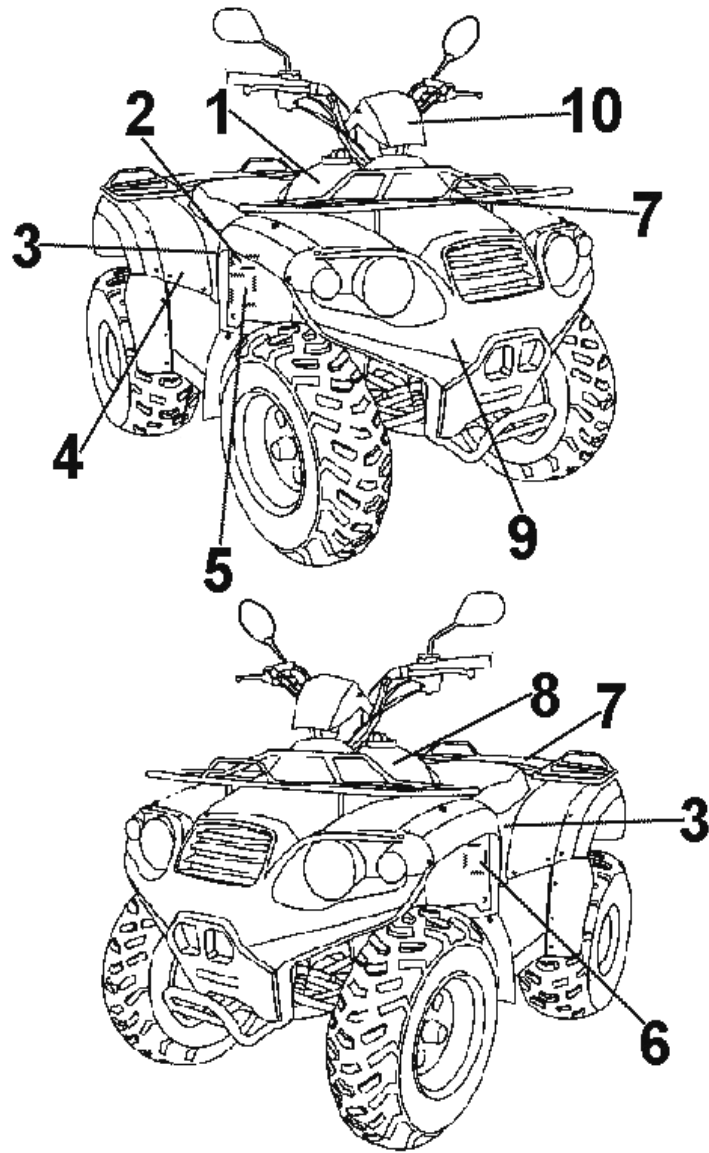
| ITEM | DESCRIPTION | P/N | Q'TY |
|------|-----------------------|-------------------|------|
| 1 | Screw, Tapping | 93906-1030088-00K | 4 |
| 2 | Bracket, Cable | 32107201-000 | 4 |
| 3 | Asm., Main Switch | 35100221-000 | 1 |
| 4 | Switch, Main | 35102211-000 | 1 |
| 5 | Bolt | 93100-050128-00K | 2 |
| 6 | Lock, Steering | 35106206-000 | 1 |
| 7 | Clip, Main Switch | 35101131-000 | 1 |
| 8 | Bolt | 93100-050168-00K | 4 |
| 9 | Relay, Signal | 38302133-000 | 1 |
| 10 | Asm., Speedometer | 37200212-000 | 1 |
| 11 | Nut | 94050-06000-00C | 2 |
| 12 | Bolt | 93501-030108-00K | 2 |
| 13 | Screw | 93100-040168-00K | 2 |
| 14 | Bolt | 92005-060168-00K | 2 |
| 15 | Bracket, Electrical | 32104201-000 | 1 |
| 16 | Bolt | 93501-030108-00K | 1 |
| 17 | Sensor | 34912203-000 | 1 |
| 18 | Nut | 94001-03000-00K | 1 |
| 19 | Switch, Shift Control | 34913201-000 | 1 |
| 20 | Battery | 31500156-001 | 1 |
| 21 | Nut | 94050-06000-00K | 2 |
| 22 | Asm., Starter Relay | 38501119-000 | 1 |
| 23 | Harness, Main Wire | 32103201-000 | 1 |
| 24 | Fuse | 32106201-000 | 1 |
| 25 | Wire, Ground | 32102159-000 | 1 |
| 26 | Wire, Battery | 32102182-000 | 1 |
| 27 | Pouch, Tool | 89120119-000 | 1 |
| 28 | Asm., CDI Unit | 30410159-000 | 1 |
| 29 | Pad, Rubber | 30411156-000 | 1 |
| 30 | Rectifier/ Regulator | 31600204-000 | 1 |
| 31 | Bolt | 96000-060128-10K | 1 |
| 32 | Extended Wires | 32101201-000 | 1 |
| 33 | Bush, Plug Cap | 30701201-000 | 1 |
| 34 | Bolt | 96000-050208-00C | 1 |
| 35 | Asm., Ignition Coil | 30510119-000 | 1 |
| 36 | Sensor, Fuel | 37800201-000 | 1 |
| 37 | Bolt | 96000-060128-10K | 1 |
| 38 | Asm., Speedometer | 37205202-002 | 1 |
| 39 | Sensor, Speedometer | 37202202-000 | 1 |
| 40 | Magnet, Speedometer | 37203204-000 | 1 |

D-33: ELECTRICAL PARTS



| ITEM | DESCRIPTION | P/N | Q'TY |
|------|----------------------|-------------------|------|
| 41 | Bracket, Speedometer | 37201159-000 | 1 |
| 42 | Nut | 90350-04000-00K | 2 |
| 43 | Bolt | 91000-050168-00K | 2 |
| 44 | Horn | 38110119-000 | 1 |
| 45 | Washer | 94101-0412010-00K | 2 |

D-34: DECALS



| ITEM | DESCRIPTION | P/N | Q'TY |
|------|-------------------------|--------------|------|
| 1 | Decal, Tank, RH | 87720209-000 | 1 |
| 2 | Decal , Waring, Reverse | 87854202-000 | 1 |
| 3 | Decal, OVERLAND 180 | 87716208-000 | 2 |
| 4 | Decal, Waring, Chain | 87858156-001 | 1 |
| 5 | Decal, Waring | 87851159-000 | 1 |
| 6 | Decal, General Waring | 87852159-000 | 1 |
| 7 | Decal, Warning, Rack | 87869131-000 | 2 |
| 8 | Decal, Tank, LH | 87721209-000 | 1 |
| 9 | Decal, Fragile, Frame | 87871204-000 | 1 |
| 10 | Decal, AEON, Logo | 87711162-000 | 1 |

PART NO. INDEX

| P/N | DESCRIPTION | Q.TY | PAGE | ITEM | P/N | DESCRIPTION | Q.TY | PAGE | ITEM |
|--------------|----------------------------|------|------|------|--------------|----------------------------|------|------|------|
| 11101158-000 | Crankcase, RH | 1 | 19 | 21 | 14523119-000 | Gasket, Tensioner | 1 | 10 | 5 |
| 11150156-001 | Spacer, Collar | 1 | 19 | 18 | 14535119-000 | Pivot, Guide | 1 | 10 | 9 |
| 11191122-000 | Gasket | 1 | 19 | 5 | 14550119-000 | Guide, Cam Chain, RH | 1 | 10 | 6 |
| 11201158-003 | Crankcase, LH | 1 | 19 | 19 | 14711122-000 | Valve, Intake | 1 | 9 | 11 |
| 11211119-000 | Hose | 1 | 21 | 24 | 14721122-000 | Valve, Exhaust | 1 | 9 | 12 |
| 11330156-002 | Cover, Crankcase, RH | 1 | 12 | 7 | 14751119-000 | Spring, Valve, Outer | 2 | 9 | 19 |
| 11334119-000 | Plug, Drain, Oil | 1 | 12 | 11 | 14761119-000 | Spring, Valve, Inner | 2 | 9 | 20 |
| 11341156-001 | Cover, Clutch | 1 | 14 | 4 | 14771119-000 | Retainer, Valve, Spring | 2 | 9 | 21 |
| 11345179-000 | Duct, Inlet | 1 | 14 | 11 | 14775119-000 | Seat, Valve, Spring, Outer | 2 | 9 | 18 |
| 11349156-000 | Cap | 1 | 14 | 13 | 14781119-000 | Clip, Retainer | 4 | 9 | 22 |
| 11351111-000 | Bracket, Carburetor Tube | 1 | 19 | 11 | 15100158-000 | Asm., Pump, Oil | 1 | 13 | 7 |
| 11351119-000 | Hook, Hose | 1 | 14 | 14 | 15141119-000 | Chain, Oil Pump | 1 | 13 | 3 |
| 11359119-000 | Gasket | 1 | 14 | 1 | 15150119-000 | Sprocket, Oil Pump | 1 | 13 | 5 |
| 11393156-000 | Gasket, Crankcase, RH | 1 | 12 | 5 | 15421119-000 | Screen | 1 | 12 | 8 |
| 11610113-000 | Breather, Crankcase, Lower | 1 | 17 | 6 | 15426119-000 | Spring, Screen | 1 | 12 | 9 |
| 12101158-000 | Cylinder | 1 | 11 | 1 | 15651201-000 | Dipstick | 1 | 12 | 1 |
| 12191158-000 | Gasket, Cylinder | 1 | 11 | 2 | 15711119-000 | Cover, Oil Pump | 1 | 13 | 2 |
| 12201158-000 | Head, Cylinder | 1 | 9 | 13 | 16050202-000 | Throttle Valve, Diaphragm | 1 | 22 | 2 |
| 12204119-000 | Guide, Valve Intake | 1 | 9 | 15 | 16100203-000 | Asm., Carburetor | 1 | 22 | 1 |
| 12206119-000 | Guide, Valve Exhaust | 1 | 9 | 16 | 16105182-000 | Valve, Needle | 1 | 22 | 7 |
| 12209119-000 | Seal, Valve | 2 | 9 | 17 | 16108211-000 | Jet, Main | 1 | 22 | 8 |
| 12211158-000 | Bracket, Cam Shaft | 1 | 9 | 24 | 16110182-000 | Jet, Pilot | 1 | 22 | 10 |
| 12251158-000 | Gasket, Cylinder Head | 1 | 9 | 10 | 16117201-000 | Valve, Float | 1 | 22 | 6 |
| 12309158-000 | Cover, Cylinder Head | 1 | 8 | 3 | 16118182-000 | Float | 1 | 22 | 9 |
| 12310158-000 | Asm., Head Cover | 1 | 8 | 2 | 16120119-000 | Bracket, Throttle Cable | 1 | 22 | 5 |
| 12391119-000 | O-Ring, Head Cover | 1 | 8 | 4 | 16171201-000 | Screw, Idle | 1 | 22 | 3 |
| 13011158-000 | Ring Set, Piston | 1 | 20 | 1 | 16172201-000 | Spring | 1 | 22 | 4 |
| 13020202-000 | Asm., Crankshaft | 1 | 20 | 5 | 17100179-000 | Asm., Manifold, Intake | 1 | 9 | 1 |
| 13100158-000 | Piston | 1 | 20 | 3 | 17102119-000 | Clamp, Hose | 1 | 21 | 1 |
| 13111158-000 | Pin, Piston | 1 | 20 | 6 | 17112119-000 | Insulator, Manifold | 1 | 9 | 6 |
| 13115119-000 | Clip, Piston Pin | 2 | 20 | 2 | 17113119-000 | Gasket, Manifold | 1 | 9 | 7 |
| 14111119-000 | Clamp, Manifold, Intake | 1 | 9 | 3 | 17205119-000 | Filter, Air Cleaner | 1 | 21 | 12 |
| 14400122-000 | Asm., Cam Shaft | 1 | 9 | 23 | 17206119-000 | Box, Air Cleaner | 1 | 21 | 5 |
| 14401119-000 | Chain, Cam | 1 | 10 | 7 | 17207119-000 | Cover, Air Cleaner | 1 | 21 | 11 |
| 14431119-000 | Arm, Valve, Rocker | 2 | 9 | 30 | 17212119-000 | Seal | 1 | 21 | 15 |
| 14452158-000 | Shaft, Intake, Rocker Arm | 1 | 9 | 32 | 17213119-000 | Gasket, Cover | 1 | 21 | 6 |
| 14453158-000 | Shaft, Exhaust, Rocker Arm | 1 | 9 | 29 | 17232119-000 | Cover, Separator | 1 | 21 | 17 |
| 14456119-000 | Asm., Decomp. Release | 1 | 9 | 31 | 17234119-000 | Element, Air Cleaner | 1 | 21 | 14 |
| 14500119-000 | Guide, Cam Chain, LH | 1 | 10 | 8 | 17235119-000 | Filter, Inlet, Separator | 1 | 21 | 16 |
| 14521119-000 | Tensioner | 1 | 10 | 4 | 17237201-000 | Bracket, Air Cleaner | 1 | 19 | 7 |

PART NO. INDEX

| P/N | DESCRIPTION | Q.TY | PAGE | ITEM | P/N | DESCRIPTION | Q.TY | PAGE | ITEM |
|--------------|-----------------------|------|------|------|--------------|----------------------------|------|------|------|
| 17253201-000 | Boot | 1 | 21 | 2 | 21319201-000 | Lever, Shift | 1 | 18 | 43 |
| 17255119-000 | Duct, Inlet | 1 | 21 | 8 | 21320201-000 | Spring, Shift | 1 | 18 | 45 |
| 17257119-000 | Inlet, Air Box | 1 | 21 | 4 | 21321156-000 | Pin, Lever, Shift | 1 | 18 | 44 |
| 17258119-000 | Spring | 1 | 21 | 9 | 21323156-000 | Gate, Shift | 1 | 18 | 48 |
| 17370119-000 | Plug, Trap | 1 | 21 | 22 | 21324156-000 | Pin | 1 | 18 | 54 |
| 17500156-000 | Tank, Fuel | 1 | 28 | 18 | 21325156-000 | Spring | 1 | 18 | 53 |
| 17621156-000 | Vent, Fuel Cap | 1 | 28 | 2 | 21327158-000 | Cover | 1 | 18 | 50 |
| 17623156-000 | Cap, Fuel | 1 | 28 | 1 | 21328158-000 | Knob, Transmission Lever | 1 | 18 | 49 |
| 17625131-000 | Diaphragm, Fuel Cap | 1 | 28 | 3 | 21395156-000 | Gasket, Transmission Cover | 1 | 17 | 9 |
| 17950111-000 | Valve, Fuel | 1 | 28 | 10 | 22001156-000 | Asm., Drive Clutch | 1 | 16 | 1 |
| 17952111-000 | Filter, Fuel | 1 | 28 | 15 | 22100119-000 | Clutch, Outer | 1 | 16 | 9 |
| 18291119-000 | Gasket | 1 | 22 | 17 | 22102156-000 | Sheave, moveable | 1 | 15 | 25 |
| 18301186-000 | Pipe, Exhaust | 1 | 22 | 18 | 22103160-000 | Asm., Drive Clutch | 1 | 15 | 28 |
| 18315156-000 | Shield, Silencer | 1 | 22 | 15 | 22110156-000 | Sheave | 1 | 15 | 22 |
| 19215156-001 | Radiator | 1 | 12 | 16 | 22121158-000 | Roller | 6 | 15 | 20 |
| 19220158-001 | Hose, Inlet | 1 | 12 | 14 | 22131158-000 | Plate, Sheave | 1 | 15 | 19 |
| 19230158-001 | Hose, Outlet | 1 | 12 | 15 | 22132156-000 | Bushing, Slider | 3 | 15 | 18 |
| 19235156-000 | Washer ,Rubber | 2 | 12 | 17 | 22350119-000 | Plate, Drive, Inner | 1 | 16 | 7 |
| 19510119-000 | Fan | 1 | 39 | 4 | 22351119-000 | Plate, Drive, Side | 1 | 16 | 3 |
| 19529119-000 | Cap | 1 | 7 | 8 | 22401119-000 | Spring, Clutch | 3 | 16 | 4 |
| 19610119-001 | Cover Set, Fly Wheel | 1 | 7 | 7 | 22430201-000 | Ratchet, Shift | 1 | 17 | 19 |
| 19611156-000 | Cap | 1 | 7 | 9 | 22535156-000 | Weight, Clutch | 3 | 16 | 5 |
| 19611202-000 | Cap, Rubber | 1 | 37 | 1 | 22804119-000 | Bushing, Rubber | 3 | 16 | 6 |
| 19615201-000 | Elbow, Outlet | 1 | 7 | 5 | 23100122-000 | Belt, Driven | 1 | 16 | 24 |
| 19621119-000 | Asm., Shroud, Lower | 1 | 7 | 11 | 23200119-000 | Asm., Sheave, Driven | 1 | 16 | 19 |
| 19623119-000 | Asm., Shroud, Upper | 1 | 7 | 1 | 23210119-000 | Sheave, Driven | 1 | 16 | 20 |
| 19625119-000 | Gasket, Shroud, Lower | 1 | 7 | 12 | 23220119-000 | Sheave, Moveable | 1 | 16 | 16 |
| 19628119-000 | Clamp | 1 | 7 | 3 | 23225119-000 | Pin, Guide | 3 | 16 | 18 |
| 19629119-000 | Clamp | 1 | 7 | 10 | 23226119-000 | Roller, Guide | 3 | 16 | 17 |
| 19633119-000 | Plug, Rubber | 1 | 7 | 4 | 23233158-000 | Spring, Clutch | 1 | 16 | 12 |
| 19635119-000 | Gasket, Shroud, Upper | 1 | 7 | 13 | 23237119-000 | Seal, Collor | 1 | 16 | 13 |
| 21301158-002 | Cover, Transmission | 1 | 17 | 7 | 23238119-000 | Seal, Collor | 1 | 16 | 11 |
| 21311156-000 | Pin, Shift Gear | 1 | 17 | 28 | 23411119-000 | Shaft, Drive | 1 | 17 | 23 |
| 21312156-000 | Fork, Shift Gear | 1 | 17 | 27 | 23420156-000 | Asm., Reverse Shaft | 1 | 17 | 22 |
| 21313156-000 | Bracket, Shift | 1 | 17 | 32 | 23431156-002 | Shaft | 1 | 17 | 12 |
| 21314156-000 | Fork, Shift | 1 | 17 | 35 | 23433156-000 | Asm.,Idler Shaft | 1 | 17 | 21 |
| 21315156-000 | Asm., Positioner | 1 | 18 | 52 | 23434201-000 | Gear , Shift | 2 | 17 | 13 |
| 21316201-000 | Rod End | 1 | 17 | 38 | 23435201-000 | Washer, Spline | 3 | 17 | 18 |
| 21317156-000 | Lever, Shift | 1 | 17 | 40 | 23436201-000 | Retainer | 3 | 17 | 17 |
| 21318156-000 | Bracket, Shift Lever | 1 | 18 | 41 | 23437156-000 | Washer | 1 | 17 | 29 |

PART NO. INDEX

| P/N | DESCRIPTION | Q.TY | PAGE | ITEM | P/N | DESCRIPTION | Q.TY | PAGE | ITEM |
|--------------|--------------------------|------|------|------|--------------|-------------------------------|------|------|------|
| 23438156-000 | Retainer | 1 | 17 | 30 | 33100203-000 | Asm., Low Beam | 1 | 38 | 1 |
| 23801159-001 | Sprocket, Drive | 1 | 17 | 3 | 33100204-000 | Asm., High Beam | 1 | 38 | 10 |
| 23811201-000 | Bracket, Sprocket | 1 | 17 | 2 | 33122201-000 | Bracket, Headlight | 4 | 38 | 5 |
| 28211119-000 | Bushing, Kick Start | 1 | 15 | 17 | 33400182-000 | Asm., Signal, Front, RH | 2 | 38 | 31 |
| 28220119-000 | Gear, Starter | 1 | 39 | 12 | 33401201-000 | Socket, Right Signal | 2 | 38 | 32 |
| 28223119-000 | Spring, Kick Start Gear | 1 | 15 | 13 | 33402201-000 | Lens, Signal | 4 | 38 | 11 |
| 28230119-000 | Gear, Kick Start, Driven | 1 | 15 | 14 | 33450182-000 | Asm., Signal, Front, LH | 2 | 38 | 14 |
| 28231119-000 | Asm., Idle Gear, Starter | 1 | 15 | 16 | 33451201-000 | Socket, Signal, LH | 2 | 38 | 13 |
| 28241119-000 | Idler Shaft, Starter | 1 | 15 | 10 | 33700208-000 | Asm., Taillight | 1 | 38 | 28 |
| 28242119-000 | Spring | 1 | 15 | 12 | 33702202-000 | Lens, Taillight | 1 | 38 | 26 |
| 28250119-000 | Asm., Shaft, Kick Start | 1 | 15 | 9 | 33708182-000 | License Plate | 1 | 38 | 19 |
| 28251119-000 | Asm., Shaft, Starter | 1 | 15 | 1 | 33711205-000 | Socket, Taillight | 1 | 38 | 24 |
| 28252119-000 | Arresting | 1 | 15 | 4 | 33716205-000 | Gasket | 1 | 38 | 29 |
| 28281119-000 | Recoil, Kick Start | 1 | 15 | 8 | 33741131-000 | Reflector | 1 | 38 | 17 |
| 28282119-000 | Pin | 1 | 15 | 11 | 33905201-000 | Bulb, Signal | 4 | 38 | 12 |
| 28300156-000 | Asm., Kick Start | 1 | 14 | 8 | 34901201-000 | Bulb | 2 | 38 | 2 |
| 28410201-000 | Asm., One Way Clutch | 1 | 39 | 10 | 34906201-000 | Bulb, Taillight | 1 | 38 | 25 |
| 28422119-000 | Asm., Gear Starter | 1 | 39 | 21 | 34909201-000 | Bulb, Parking | 2 | 38 | 8 |
| 28423119-000 | Gear, Starter | 1 | 39 | 20 | 34912203-000 | Sensor | 1 | 40 | 17 |
| 28424119-000 | Shaft, Starter Motor | 1 | 39 | 19 | 34913201-000 | Switch, Shift Control | 1 | 40 | 19 |
| 30410159-000 | Asm., CDI Unit | 1 | 40 | 28 | 34916201-000 | Switch, Brake | 1 | 33 | 18 |
| 30411156-000 | Pad, Rubber | 1 | 40 | 29 | 35100221-000 | Asm., Main Switch | 1 | 40 | 3 |
| 30510119-000 | Asm., Ignition Coil | 1 | 40 | 35 | 35101131-000 | Clip, Main Switch | 1 | 40 | 7 |
| 30701201-000 | Bush, Plug Cap | 1 | 40 | 33 | 35102211-000 | Switch, Main | 1 | 40 | 4 |
| 31100204-000 | Asm., Generator | 1 | 39 | 9 | 35106206-000 | Lock, Steering | 1 | 40 | 6 |
| 31110207-000 | Flywheel | 1 | 39 | 8 | 35151204-000 | Asm., Switch, LH | 1 | 34 | 22 |
| 31120201-000 | Stator | 1 | 39 | 2 | 35160151-000 | Asm., Manual Choke | 1 | 34 | 21 |
| 31200119-000 | Motor, Starter | 1 | 39 | 15 | 37200212-000 | Asm., Speedometer | 1 | 40 | 10 |
| 31500156-001 | Battery | 1 | 40 | 20 | 37201159-000 | Bracket, Speedometer | 1 | 41 | 41 |
| 31510201-000 | Rubber, Battery | 2 | 26 | 14 | 37202202-000 | Sensor, Speedometer | 1 | 40 | 39 |
| 31521201-000 | Bracket, Battery | 1 | 26 | 7 | 37203204-000 | Magnet, Speedometer | 1 | 40 | 40 |
| 31600204-000 | Rectifier/ Regulator | 1 | 40 | 30 | 37205202-002 | Asm., Speedometer | 1 | 40 | 38 |
| 32101201-000 | Extended Wires | 1 | 40 | 32 | 37800201-000 | Sensor, Fuel | 1 | 40 | 36 |
| 32102159-000 | Wire, Ground | 1 | 40 | 25 | 38110119-000 | Horn | 1 | 41 | 44 |
| 32102182-000 | Wire, Battery | 1 | 40 | 26 | 38302133-000 | Relay, Signal | 1 | 40 | 9 |
| 32103201-000 | Harness, Main Wire | 1 | 40 | 23 | 38501119-000 | Asm., Starter Relay | 1 | 40 | 22 |
| 32104201-000 | Bracket, Electrical | 1 | 40 | 15 | 40520182-000 | Cover, Sprocket | 1 | 36 | 11 |
| 32106201-000 | Fuse | 1 | 40 | 24 | 40530159-000 | Asm., Drive Chain | 1 | 36 | 12 |
| 32107201-000 | Bracket, Cable | 4 | 40 | 2 | 40539202-000 | Fixed Bracket, Chain Tensione | 1 | 36 | 5 |
| 32961119-000 | Clamp, Wire, Stator | 1 | 12 | 22 | 40541201-000 | Spring | 1 | 36 | 9 |

PART NO. INDEX

| P/N | DESCRIPTION | Q.TY | PAGE | ITEM | P/N | DESCRIPTION | Q.TY | PAGE | ITEM |
|--------------|--------------------------|------|------|------|--------------|--------------------------------|------|------|------|
| 40543156-000 | Adjuster, Chain | 1 | 36 | 3 | 45409159-000 | Arm, Front Brake, RH | 1 | 32 | 16 |
| 40545201-000 | Roller, Chain Tensioner | 1 | 36 | 8 | 45410159-000 | Arm, Front Brake, LH | 1 | 32 | 20 |
| 40550156-A00 | Cover, Rear | 1 | 33 | 33 | 45421133-000 | Bolt, Insert | 3 | 32 | 2 |
| 41201156-000 | Sprocket, Drive, Final | 1 | 35 | 4 | 45450182-000 | Hose, Brake | 1 | 33 | 6 |
| 41202156-000 | Washer, Sprocket | 2 | 35 | 7 | 45450204-000 | Cable, Front Brake | 2 | 32 | 10 |
| 41210156-000 | Hub, Sprocket | 1 | 35 | 5 | 45454203-000 | Asm., Cable, Brake Pedal | 1 | 32 | 1 |
| 42000158-000 | Axle | 1 | 35 | 6 | 45455203-000 | Cable, Pedal, RH | 1 | 32 | 7 |
| 42010202-000 | Hub, Wheel | 2 | 31 | 1 | 45456111-000 | Bolt, Banjo | 2 | 33 | 5 |
| 42616131-000 | Valve, Rim | 2 | 30 | 6 | 45456156-604 | Bolt, Banjo | 4 | 12 | 13 |
| | | 2 | 31 | 10 | 45457203-000 | Cable, Pedal, LH | 1 | 32 | 6 |
| 42701182-000 | Rim, Front | 2 | 30 | 14 | 50100182-A01 | Asm., Frame | 1 | 23 | 28 |
| 42711209-000 | Tire | 2 | 30 | 13 | 50106158-000 | Shield, Chassis | 1 | 23 | 27 |
| 42730151-000 | Cap, Hub | 2 | 30 | 9 | 50351202-000 | Bracket, Engine Mount, RH | 1 | 23 | 2 |
| | | 2 | 31 | 8 | 50355202-000 | Bracket, Engine Mount, RH | 1 | 23 | 24 |
| 42801182-000 | Rim, Rear | 2 | 31 | 2 | 50357202-000 | Bracket, Rear Cable | 1 | 33 | 15 |
| 42803206-A00 | Asm., Housing, Rear Axle | 1 | 33 | 21 | 50371201-000 | Bracket, Engine Mount, LH | 1 | 23 | 23 |
| 42810156-001 | Tube, Spacer | 1 | 33 | 24 | 50372201-000 | Bracket, Engine, RH | 1 | 23 | 6 |
| 42811162-001 | Tire | 2 | 31 | 4 | 50455182-A00 | Bumper | 1 | 24 | 7 |
| 43120111-00C | Shoe, brake, Rear | 2 | 32 | 11 | 50460182-000 | Cover, Headlight | 1 | 24 | 5 |
| 43421201-000 | Spring | 1 | 33 | 9 | 50480156-000 | Shield, Heat | 1 | 25 | 1 |
| 43421202-000 | Spring, Switch | 1 | 33 | 16 | 50495182-A00 | Bracket, Front Rack | 1 | 24 | 1 |
| 43450182-000 | Cable, Hand Brake, Rear | 1 | 33 | 19 | 51101156-00B | Spring, Suspension, Front | 2 | 29 | 3 |
| 43452133-001 | Arm, Swing | 1 | 32 | 4 | 51102156-00B | Tube, Inner, Suspension, Front | 2 | 29 | 4 |
| 43453133-001 | Bracket, Pedal | 1 | 32 | 5 | 51105156-000 | Bracket, Footwell, RH | 1 | 23 | 8 |
| 43456204-000 | Lever, Brake, Foot | 1 | 33 | 10 | 51111156-000 | Post, Steering | 2 | 37 | 19 |
| 43457201-000 | Arm, Master Cylinder | 1 | 33 | 14 | 51112205-A00 | Shaft, Steering | 1 | 37 | 20 |
| 43490182-000 | Hub, Disc | 1 | 33 | 29 | 51120156-000 | Bracket, Footwell, LH | 1 | 23 | 25 |
| 43500182-000 | Asm., Master Cylinder | 1 | 33 | 7 | 51220156-000 | Sleeve, Steering Shaft | 2 | 37 | 2 |
| 43510201-000 | Bracket, Pads | 1 | 33 | 2 | 51300131-000 | Valve, Grease | 2 | 23 | 19 |
| 44311156-000 | Spacer | 2 | 30 | 5 | | | 4 | 25 | 10 |
| 44312156-000 | Spacer | 2 | 30 | 2 | 51301131-000 | Cap, Valve, Grease | 2 | 23 | 14 |
| 45000182-000 | Asm., Caliper, Rear | 1 | 33 | 3 | | | 4 | 25 | 12 |
| 45008156-000 | Drum, Brake, Front | 2 | 30 | 4 | 51317156-000 | Spacer | 2 | 37 | 4 |
| 45010156-000 | Plate, Front Brake, LH | 1 | 32 | 21 | 51318156-000 | Bracket, Wire Collector | 1 | 37 | 5 |
| 45010182-000 | Disc, Brake | 1 | 33 | 30 | 51319156-000 | Washer, Lock | 1 | 37 | 6 |
| 45016131-00K | Bolt | 3 | 33 | 31 | 51325202-000 | Asm., Steering Knuckle, LH | 1 | 37 | 14 |
| 45020156-001 | Plate, Front Brake, Rh | 1 | 32 | 19 | 51330202-000 | Asm., Steering Knuckle, RH | 1 | 37 | 12 |
| 45120182-000 | Pads, Brake | 1 | 33 | 1 | 52401156-001 | Spring, Suspension, Rear | 1 | 29 | 6 |
| 45141156-000 | Shaft, Cam, Front Brake | 2 | 32 | 12 | 52402156-000 | Shock, Rear | 1 | 29 | 7 |
| 45142156-000 | Indicator, Brake | 2 | 32 | 14 | 52410182-A03 | Arm, Swing | 1 | 23 | 18 |

| P/N | DESCRIPTION | Q.TY | PAGE | ITEM | P/N | DESCRIPTION | Q.TY | PAGE | ITEM |
|--------------|-----------------------------|------|------|------|------------------|------------------------|------|------|------|
| 52415156-000 | Shaft, Suspension, Rear | 1 | 29 | 5 | 64211181-000 | Pod, Handlebar | 1 | 34 | 32 |
| 52420131-000 | Tube, Spacer | 1 | 23 | 21 | 64212182-000 | Shield, Pod | 1 | 34 | 28 |
| 52422131-000 | Cover, Swing Arm Seal | 2 | 23 | 17 | 64300156-000 | Footwell, RH | 1 | 25 | 18 |
| 52423156-000 | Sleeve, Rubber | 1 | 23 | 20 | 64310156-001 | Footwell, LH | 1 | 25 | 16 |
| 52424156-000 | Cap, Dustproof | 4 | 37 | 11 | 64319131-000 | Rubber, Fuel Tank | 2 | 28 | 6 |
| 52426156-000 | Cap, Rubber | 8 | 25 | 7 | 77200182-000 | Seat | 1 | 27 | 1 |
| 52524131-000 | Seat, Grease Contain | 2 | 23 | 15 | 77210131-000 | Hook, Seat | 1 | 27 | 2 |
| 53030202-00A | Arm, Suspension, Silver, RH | 1 | 25 | 5 | 77220131-000 | Rubber, Seat | 2 | 23 | 12 |
| 53100182-A00 | Handlebar | 1 | 34 | 23 | 80140131-000 | Decal, Isolation | 1 | 26 | 22 |
| 53130202-00A | Arm, Suspension, Silver, LH | 1 | 25 | 13 | 81111182-A00 | Bracket, Rear Rack | 1 | 24 | 12 |
| 53135203-000 | Bushing | 8 | 25 | 8 | 81113153-000 | Rubber | 1 | 21 | 19 |
| 53140156-000 | Spacer | 4 | 25 | 9 | | | 2 | 24 | 11 |
| 53167201-000 | Grip, Handlebar | 2 | 34 | 1 | | | 1 | 26 | 24 |
| 53170201-000 | Perch, lever, LH | 1 | 34 | 17 | 81121182-A00 | Bracket, RH | 2 | 24 | 10 |
| 53171204-000 | Asm., Lever LH | 1 | 34 | 16 | 83574131-000 | Cap | 2 | 28 | 4 |
| 53172201-000 | Asm., Lever, RH | 1 | 34 | 2 | 87711162-000 | Decal, AEON, Logo | 1 | 42 | 10 |
| 53173131-000 | Sensor, Brake | 1 | 34 | 14 | 87716208-000 | Decal, OVERLAND 180 | 2 | 42 | 3 |
| 53174201-000 | Wire, Brake Switch | 1 | 34 | 8 | 87720209-000 | Decal, Tank, RH | 1 | 42 | 1 |
| 53175180-000 | Lever, Brake, RH | 1 | 34 | 5 | 87721209-000 | Decal, Tank, LH | 1 | 42 | 8 |
| 53176201-000 | Seat, Lever, RH | 1 | 34 | 3 | 87851159-000 | Decal, Waring | 1 | 42 | 5 |
| 53177131-000 | Bracket, Brake Cable | 1 | 34 | 6 | 87852159-000 | Decal, General Waring | 1 | 42 | 6 |
| 53178131-000 | Lever, Brake, LH | 1 | 34 | 15 | 87854202-000 | Decal, Waring, Reverse | 1 | 42 | 2 |
| 53200204-000 | Clamp, Lower | 2 | 34 | 11 | 87858156-001 | Decal, Waring, Chain | 1 | 42 | 4 |
| 53210204-000 | Clamp, Upper, LH | 1 | 34 | 24 | 87869131-000 | Decal, Warning, Rack | 2 | 42 | 7 |
| 53220204-000 | Clamp, Upper, RH | 1 | 34 | 26 | 87871204-000 | Decal, Fragile, Frame | 1 | 42 | 9 |
| 53310181-00A | Bracket, Pod | 1 | 34 | 30 | 88110204-000 | Mirror, RH | 1 | 34 | 35 |
| 53410202-000 | Asm., Tie Rod | 2 | 37 | 8 | 88120201-001 | Mirror, LH | 1 | 34 | 27 |
| 53500156-000 | Clamp, steering | 2 | 37 | 3 | 89120119-000 | Pouch, Tool | 1 | 40 | 27 |
| 53910182-000 | Cable, Throttle | 1 | 34 | 10 | 89569131-000 | Strap | 21 | 23 | 13 |
| 53922182-000 | Choke, Cable, Manual | 1 | 34 | 9 | 89669-119-001 | Clamp | 1 | 14 | 10 |
| 61000182-485 | Cab, Rear (red) | 1 | 26 | 17 | 89768151-000 | Strap | 1 | 33 | 20 |
| 61000182-617 | Cab, Rear (green) | 1 | 26 | 17 | | | 1 | 34 | 13 |
| 61005182-000 | Mudflap, Rear, RH | 1 | 26 | 13 | | | 2 | 38 | 30 |
| 61010182-000 | Mudflap, Rear, LH | 1 | 26 | 21 | 89769111-000 | Strap | 1 | 32 | 22 |
| 61100182-485 | Cab, Front (red) | 1 | 26 | 6 | 90012-06015 | Screw, Tappet Adj. | 2 | 9 | 28 |
| 61100182-617 | Cab, Front (green) | 1 | 26 | 6 | 90108-080158-00K | Bolt | 1 | 36 | 6 |
| 61105182-000 | Mudflap, Front, RH | 1 | 26 | 4 | 90115-090228-000 | Bolt, Brake lever, RH | 1 | 34 | 4 |
| 61110182-000 | Mudflap, Front, LH | 1 | 26 | 23 | 90116-090238-00K | Bolt | 1 | 34 | 18 |
| 61300182-485 | Cover, Front Fender (red) | 1 | 26 | 1 | 90202-28000-00C | Nut | 1 | 16 | 8 |
| 61300182-617 | Cover, Front Fender (green) | 1 | 26 | 1 | 90206-05000-00A | Nut, Tappet Adj. | 2 | 9 | 27 |

PART NO. INDEX

| P/N | DESCRIPTION | Q.TY | PAGE | ITEM | P/N | DESCRIPTION | Q.TY | PAGE | ITEM |
|------------------|---------------|------|------|------|------------------|-------------|------|------|------|
| 90301-08000-00C | Nut | 2 | 22 | 19 | 92001-080208-0KL | Bolt | 2 | 33 | 28 |
| 90344-06000-00C | Nut, U-Plate | 4 | 26 | 8 | 92003-060168-00K | Bolt | 2 | 24 | 6 |
| 90345-04000-02T | U-Nut | 2 | 26 | 5 | | | 2 | 26 | 3 |
| | | 2 | 34 | 29 | 92005-060128-00K | Bolt | 4 | 38 | 7 |
| 90350-04000-00K | Nut | 2 | 41 | 42 | 92005-060168-00K | Bolt | 5 | 23 | 26 |
| 90350-05000-00K | Nut | 8 | 24 | 8 | | | 8 | 25 | 17 |
| | | 4 | 25 | 4 | | | 4 | 26 | 12 |
| | | 40 | 26 | 20 | | | 2 | 28 | 5 |
| | | 10 | 38 | 20 | | | 2 | 40 | 14 |
| 90350-06000-00K | Nut | 2 | 17 | 37 | 92005-060258-00K | Bolt | 2 | 12 | 18 |
| | | 8 | 25 | 14 | 93000-060068-00K | Screw | 1 | 10 | 1 |
| | | 2 | 34 | 7 | 93100-030048-00B | Screw | 2 | 34 | 20 |
| 90350-08000-0UK | Nut | 1 | 17 | 25 | 93100-030068-00B | Screw | 2 | 38 | 3 |
| | | 1 | 36 | 4 | 93100-040168-00K | Screw | 2 | 40 | 13 |
| 90350-10000-00C | Nut | 1 | 19 | 1 | 93100-050128-00K | Bolt | 8 | 26 | 9 |
| | | 2 | 34 | 12 | | | 2 | 40 | 5 |
| 90350-10000-0UC | Nut | 2 | 23 | 7 | 93100-050168-00K | Bolt | 8 | 24 | 4 |
| | | 8 | 30 | 7 | | | 4 | 25 | 2 |
| | | 8 | 31 | 3 | | | 32 | 26 | 18 |
| | | 1 | 37 | 17 | | | 3 | 34 | 31 |
| 90350-14000-0UC | Nut | 1 | 23 | 16 | | | 10 | 38 | 18 |
| 90352-10000-00C | Nut | 6 | 37 | 10 | | | 4 | 40 | 8 |
| 90352-14000-00C | Nut | 2 | 31 | 9 | 93210-00227 | O-Ring | 1 | 9 | 4 |
| 90353-08000-00G | Nut | 3 | 32 | 3 | 93210-00915 | O-Ring | 2 | 9 | 14 |
| 90353-14000-00C | Nut | 2 | 30 | 8 | | | 1 | 10 | 3 |
| 90471-04014 | Key, Woodruff | 1 | 20 | 4 | 93210-01425 | O-Ring | 1 | 17 | 31 |
| 91000-050098-00K | Bolt | 1 | 17 | 34 | 93210-01525 | O-Ring | 2 | 37 | 18 |
| 91000-050168-00K | Bolt | 2 | 41 | 43 | 93210-01835 | O-Ring | 1 | 12 | 2 |
| 91000-060258-00K | Bolt | 2 | 17 | 39 | 93210-02431 | O-Ring | 1 | 39 | 18 |
| 91000-080258-00K | Bolt | 4 | 34 | 25 | 93210-03132 | O-Ring | 1 | 12 | 10 |
| 91001-060728-00C | Stud | 2 | 9 | 8 | 93210-03920 | O-Ring | 2 | 16 | 14 |
| 91001-080328-00C | Stud | 2 | 9 | 34 | 93210-04635 | O-Ring | 2 | 26 | 15 |
| 91001-081818-00C | Stud | 2 | 19 | 22 | 93500-035398-SUS | Bolt | 2 | 38 | 27 |
| 91001-081878-00C | Stud | 2 | 19 | 20 | 93500-040258-00K | Bolt | 1 | 14 | 9 |
| 92000-050128-00C | Bolt | 2 | 39 | 1 | 93500-050108-00K | Bolt | 2 | 21 | 7 |
| 92000-060108-00C | Bolt | 2 | 17 | 1 | 93500-060088-00K | Bolt | 1 | 34 | 19 |
| 92000-060308-00B | Bolt | 2 | 32 | 17 | 93501-030108-00K | Bolt | 2 | 40 | 12 |
| 92000-080608-00B | Bolt | 1 | 36 | 1 | | | 1 | 40 | 16 |
| | | 2 | 37 | 7 | 93800-060168-00K | Bolt | 4 | 26 | 10 |
| 92001-080148-0KL | Bolt | 2 | 33 | 17 | 93902-060088-00B | Bolt | 2 | 32 | 8 |

PART NO. INDEX

| P/N | DESCRIPTION | Q.TY | PAGE | ITEM | P/N | DESCRIPTION | Q.TY | PAGE | ITEM |
|-------------------|----------------|------|------|------|-------------------|----------------|------|------|------|
| 93902-060308-00B | Screw | 2 | 13 | 6 | 94101-0816015-00C | Washer | 3 | 17 | 26 |
| 93903-1040128-00K | Screw | 2 | 21 | 13 | 94101-0816020-00L | Washer | 2 | 19 | 12 |
| | | 2 | 26 | 2 | 94101-0818023-00U | Washer | 4 | 9 | 26 |
| | | 2 | 34 | 33 | 94101-0822020-00C | Washer | 2 | 22 | 12 |
| 93903-1040168-00K | Screw | 1 | 14 | 12 | 94101-1015012-U0B | Washer | 4 | 33 | 4 |
| 93903-1050128-00K | Screw | 4 | 38 | 9 | 94101-1022010-00U | Washer | 1 | 37 | 16 |
| 93903-2050208-00K | Screw | 7 | 21 | 10 | 94101-1022020-00C | Washer | 1 | 19 | 2 |
| 93904-3050168-00K | Screw, Tapping | 4 | 7 | 2 | 94101-1221320-00L | Washer | 8 | 12 | 12 |
| 93906-1030088-00K | Screw, Tapping | 4 | 40 | 1 | | | 1 | 19 | 16 |
| 94001-03000-00K | Nut | 1 | 40 | 18 | 94101-1225023-000 | Washer | 1 | 15 | 15 |
| 94001-06000-00C | Nut | 2 | 32 | 15 | | | 1 | 15 | 26 |
| 94001-06000-00K | Nut | 4 | 38 | 4 | | | 1 | 39 | 7 |
| 94001-33000-00K | Nut | 2 | 35 | 1 | 94101-1422012-00K | Washer | 1 | 15 | 7 |
| 94002-10000-00C | Nut | 4 | 35 | 3 | 94101-1443030-00C | Washer | 2 | 30 | 12 |
| 94050-05000-00C | Nut | 1 | 38 | 15 | | | 2 | 31 | 5 |
| 94050-06000-00C | Nut | 2 | 9 | 2 | 94101-1722010-00K | Washer | 2 | 32 | 13 |
| | | 1 | 13 | 4 | 94101-2231025-000 | Washer | 1 | 39 | 13 |
| | | 2 | 27 | 3 | 94102-0613010-000 | Gasket | 2 | 22 | 14 |
| | | 2 | 38 | 22 | 94102-0817020-000 | Gasket | 2 | 22 | 16 |
| | | 1 | 39 | 17 | 94111-0610010-00K | Washer, Spring | 4 | 38 | 6 |
| | | 2 | 40 | 11 | 94111-0611020-00K | Washer, Spring | 1 | 14 | 7 |
| 94050-06000-00K | Nut | 1 | 19 | 9 | 94111-1001502-00K | Washer, Spring | 6 | 23 | 4 |
| | | 2 | 40 | 21 | 94121-0816010-00K | Washer | 16 | 24 | 2 |
| 94050-08000-00C | Nut | 4 | 9 | 25 | 94121-1020010-000 | Washer | 4 | 37 | 15 |
| | | 1 | 36 | 2 | 94121-1221005-000 | Washer | 1 | 33 | 13 |
| 94050-10000-00C | Nut | 4 | 25 | 11 | 94121-1426016-000 | Washer | 2 | 30 | 11 |
| | | 4 | 29 | 2 | | | 2 | 31 | 6 |
| 94050-12000-00C | Nut | 1 | 15 | 27 | 94121-3345012-000 | Washer | 2 | 35 | 2 |
| | | 1 | 16 | 10 | 94150-0717050-00K | Washer | 2 | 26 | 11 |
| | | 1 | 39 | 6 | 94150-0717075-00K | Washer | 2 | 26 | 16 |
| 94071-22000-000 | Nut, Lock | 1 | 39 | 14 | 94201-25190 | Pin, Cotter | 1 | 18 | 46 |
| 94101-0412010-00K | Washer | 2 | 41 | 45 | | | 1 | 29 | 8 |
| 94101-0510010-00B | Washer | 1 | 17 | 33 | | | 7 | 37 | 9 |
| 94101-0514010-00K | Washer | 8 | 24 | 9 | 94201-32320 | Pin, Cotter | 2 | 30 | 10 |
| | | 4 | 25 | 3 | | | 2 | 31 | 7 |
| | | 40 | 26 | 19 | 94203-12200 | Cotter Pin | 1 | 33 | 12 |
| | | 10 | 38 | 21 | 94205-02052 | Pin | 1 | 32 | 9 |
| 94101-0519010-00K | Washer | 1 | 38 | 16 | 94301-08140 | Pin, Dowel | 2 | 12 | 4 |
| 94101-0613010-00K | Washer | 8 | 25 | 15 | | | 2 | 14 | 2 |
| 94101-0619010-00C | Washer | 2 | 38 | 23 | | | 2 | 17 | 8 |

PART NO. INDEX

| P/N | DESCRIPTION | Q.TY | PAGE | ITEM | P/N | DESCRIPTION | Q.TY | PAGE | ITEM |
|------------------|-------------|------|------|------|-------------------|---------------|------|------|------|
| 94301-08140 | Pin, Dowel | 2 | 19 | 4 | 96000-060258-08C | Bolt | 3 | 7 | 6 |
| 94301-10140 | Pin, Dowel | 4 | 9 | 9 | | | 4 | 8 | 1 |
| | | 2 | 11 | 3 | 96000-060328-16C | Bolt | 1 | 21 | 18 |
| 94302-07018 | Pin | 1 | 33 | 11 | 96000-060408-08C | Bolt | 1 | 12 | 3 |
| 94401-05009-001 | Hose, Fuel | 1 | 28 | 7 | | | 7 | 14 | 3 |
| 94401-05009-050 | Hose, Fuel | 1 | 28 | 13 | 96000-060508-00C | Bolt | 1 | 19 | 23 |
| 94401-05009-150 | Hose, Fuel | 1 | 28 | 14 | 96000-060608-08C | Bolt | 4 | 19 | 8 |
| 94403-04008-300 | Tube, Oil | 1 | 28 | 17 | 96000-060708-08C | Bolt | 3 | 19 | 14 |
| 94404-08012-000 | Hose, Drain | 1 | 21 | 21 | 96000-060958-08C | Bolt | 5 | 12 | 19 |
| 94408-05007-170 | Hose | 1 | 17 | 5 | 96000-061008-08C | Bolt | 2 | 9 | 33 |
| 94509-08500 | Clamp | 1 | 21 | 23 | | | 1 | 12 | 21 |
| 94509-09000 | Clamp | 1 | 21 | 3 | | | 1 | 14 | 5 |
| 94510-06000 | Clip | 1 | 28 | 16 | 96000-061108-08C | Bolt | 2 | 12 | 20 |
| 94510-08000 | Clamp | 1 | 21 | 25 | 96000-080128-00K | Bolt | 8 | 23 | 9 |
| | | 1 | 28 | 9 | | | 2 | 33 | 32 |
| | | 5 | 28 | 12 | 96000-080128-10C | Bolt | 2 | 19 | 13 |
| 94510-12000 | Clamp | 2 | 21 | 20 | 96000-080148-00K | Bolt | 1 | 36 | 13 |
| | | 1 | 28 | 8 | 96000-080168-00K | Bolt | 4 | 36 | 10 |
| 94511-0700E | Clip, Cir | 3 | 16 | 2 | 96000-080168-0KL | Bolt | 2 | 22 | 11 |
| 94512-2800R | Clip, Cir | 2 | 15 | 21 | | | 14 | 24 | 3 |
| 94512-280IR | Clip, Cir | 1 | 16 | 22 | 96000-080208-0KL | Bolt | 2 | 24 | 13 |
| 94513-1020E | E-Clip | 1 | 36 | 7 | 96000-080388-0KL | Bolt | 2 | 33 | 27 |
| 96000-050208-00C | Bolt | 1 | 40 | 34 | 96000-080408-00K | Bolt | 3 | 23 | 10 |
| 96000-060108-00B | Bolt | 2 | 22 | 13 | 96000-081258-00K | Bolt | 1 | 23 | 11 |
| 96000-060128-08C | Bolt | 2 | 13 | 1 | 96000-100208-0KL | Bolt | 6 | 23 | 3 |
| | | 1 | 15 | 5 | 96000-100408-0KL | Bolt | 5 | 29 | 1 |
| 96000-060128-10C | Bolt | 2 | 17 | 36 | 96000-100438-0KL | Bolt | 2 | 23 | 1 |
| 96000-060128-10K | Bolt | 2 | 18 | 47 | 96000-100758-0KL | Bolt | 4 | 25 | 6 |
| | | 1 | 33 | 8 | 96000-101978-14C | Bolt | 1 | 19 | 6 |
| | | 2 | 34 | 34 | 96000-120158-14C | Bolt | 1 | 19 | 15 |
| | | 1 | 40 | 31 | 96000-142908-00C | Bolt | 1 | 23 | 22 |
| | | 1 | 40 | 37 | 96004-101058-00K | Bolt | 2 | 37 | 13 |
| 96000-060168-00K | Bolt | 1 | 18 | 51 | 96008-120288-0CL | Bolt | 1 | 33 | 26 |
| | | 1 | 28 | 11 | 96008-120328-0CL | Bolt | 3 | 33 | 25 |
| 96000-060188-08C | Bolt | 4 | 39 | 5 | 96100-60030-ZZ000 | Bearing, Ball | 4 | 30 | 3 |
| | | 2 | 39 | 16 | 96100-60050-U0000 | Bearing, Ball | 1 | 17 | 10 |
| 96000-060208-08C | Bolt | 2 | 39 | 3 | 96100-60070-ZZ000 | Bearing, Ball | 2 | 33 | 23 |
| 96000-060228-14C | Bolt | 2 | 10 | 2 | 96100-62020-00000 | Bearing, Ball | 4 | 17 | 14 |
| 96000-060258-00K | Bolt | 1 | 14 | 6 | 96100-62030-00000 | Bearing, Ball | 1 | 17 | 16 |
| | | 1 | 18 | 42 | 96100-62040-JR2C3 | Bearing, Ball | 1 | 17 | 20 |

PART NO. INDEX

| P/N | DESCRIPTION | Q.TY | PAGE | ITEM | P/N | DESCRIPTION | Q.TY | PAGE | ITEM |
|-------------------|-----------------|------|------|------|-----|-------------|------|------|------|
| 96100-69020-U0000 | Bearing, Ball | 1 | 16 | 21 | | | | | |
| 96100-TMB30-10000 | Bearing, Ball | 1 | 17 | 24 | | | | | |
| 96200-202918 | Bearing, Needle | 1 | 16 | 23 | | | | | |
| 96200-283217 | Bearing, Needle | 1 | 39 | 11 | | | | | |
| 96220-30085 | Rollor | 1 | 15 | 3 | | | | | |
| 96400-082223 | Bushing, Rubber | 2 | 17 | 4 | | | | | |
| | | 2 | 19 | 10 | | | | | |
| 96400-102822 | Bushing, Rubber | 2 | 19 | 3 | | | | | |
| | | 2 | 23 | 5 | | | | | |
| 96401-121612 | Bushing | 1 | 15 | 2 | | | | | |
| 96401-141816 | Bushing | 1 | 15 | 6 | | | | | |
| 96401-172451 | Bushing | 1 | 15 | 24 | | | | | |
| 96401-242830 | Bushing | 1 | 15 | 23 | | | | | |
| 96500-203206T3034 | Seal, Oil | 1 | 17 | 15 | | | | | |
| 96500-233506A7271 | Seal, Oil | 2 | 30 | 1 | | | | | |
| 96500-304707A7271 | Seal, Oil | 1 | 17 | 11 | | | | | |
| 96500-34410400000 | Seal, Oil | 2 | 16 | 15 | | | | | |
| 96500-4052060 | Seal, Oil | 2 | 32 | 18 | | | | | |
| 96500-426208A7271 | Seal, Oil | 2 | 33 | 22 | | | | | |
| 96501-19300500000 | Seal, Oil | 1 | 12 | 6 | | | | | |
| | | 1 | 19 | 17 | | | | | |
| 98076119-00A | Plug, Spark | 1 | 9 | 5 | | | | | |